








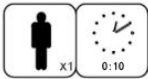
LIVING SPACES

A	M0121-A		X1
B	M0121-B		X1
C	M0121-C		X1
D	M0121-D		X1
E	M0121-E		X1

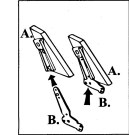
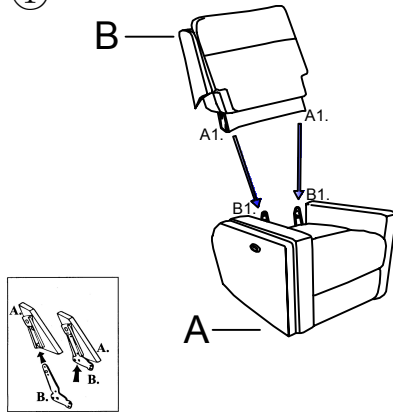
Hewitt Power Reclining Sofa



M0121-P190-01
Hewitt Power Reclining Sofa

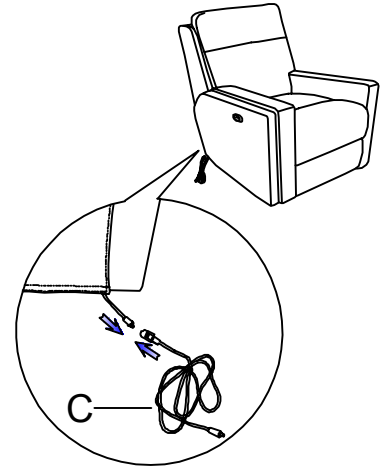


①

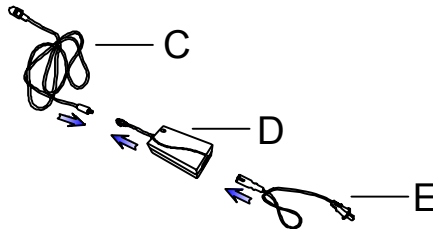


When assembling the backrests, place Bracket B into Sleeve A. Push the top of the backrest down firmly to lock the retaining clip into place. Listen for the clip to pop securely into place!

②



③



④

