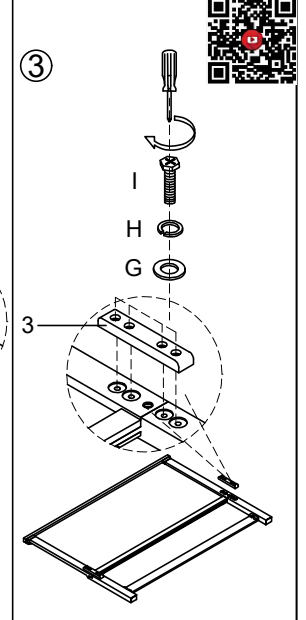
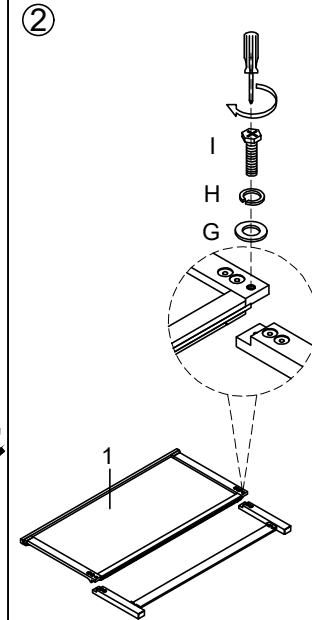
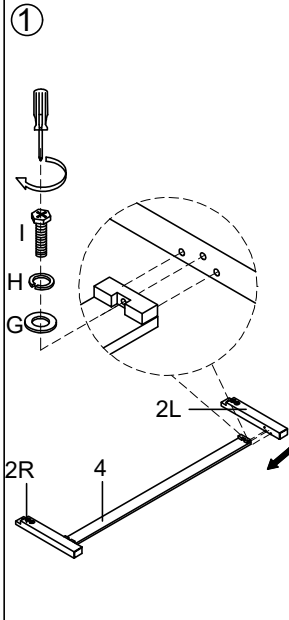




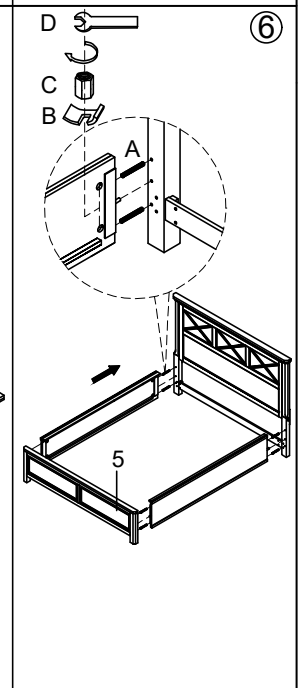
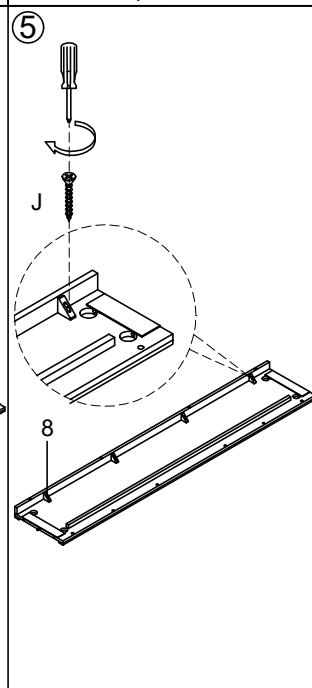
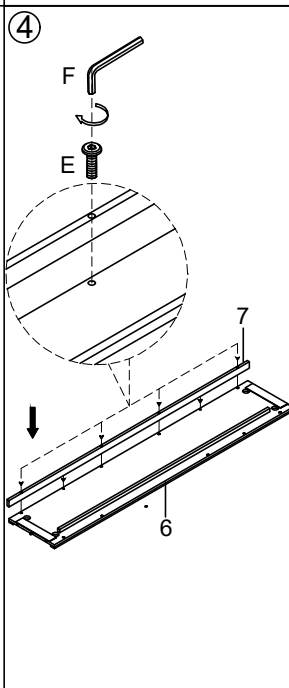
BOX OF HEADBOARD (BOX 1)

| | | |
|----|----------------|-----------------------|
| G | PB4791-54H-HD | X12 Ø5/16"x19x2mm |
| H | PB4791-54H-HD | X12 Ø5/16"x12x2mm |
| I | PB4791-54H-HD | X12 Ø5/16"x1-1/2"L |
| 1 | PB4791-74HB | X1 |
| 2L | PB4791-54H-HL1 | X1 |
| 2R | PB4791-54H-HL2 | X1 |
| 3 | PB4791-54H-MP | X2 |
| 4 | PB4791-64H-SR | X1 |



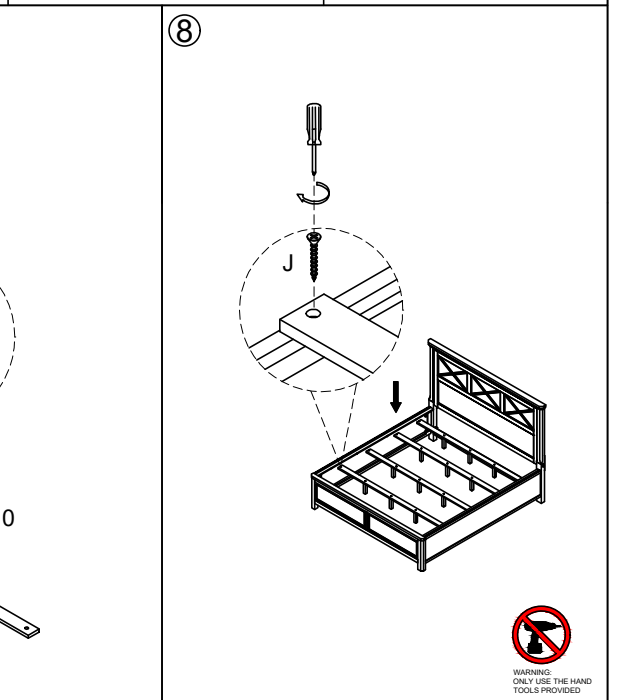
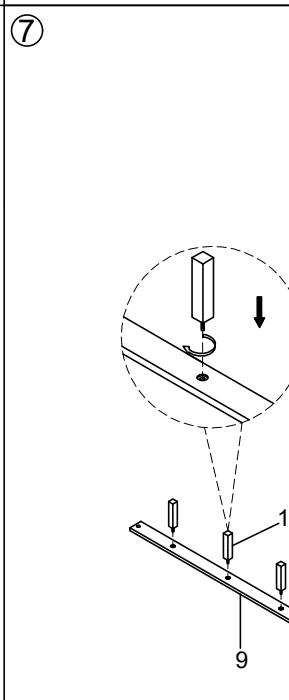
BOX OF SIDE RAIL (BOX 2)

| | | |
|---|---------------|------------------------|
| A | PB4791-54R-HD | X8 Ø5/16"x4-1/2"L |
| B | PB4791-54R-HD | X8 Ø5/16"x34x16x3mm |
| C | PB4791-54R-HD | X8 Ø5/16"x17mm |
| D | PB4791-54R-HD | X1 Wrench 12mm |
| E | PB4791-74R-HD | X8 Ø1/4"x2-1/4"L |
| F | PB4791-74R-HD | X1 Allen key 4mm |
| J | PB4791-74R-HD | X16 #4x25mm |
| 6 | PB4791-74R | X2 |
| 7 | PB4791-74R-CL | x2 |
| 8 | PB4791-74CB | x8 |



BOX OF FOOTBOARD, SLATS & SUPPORT LEG (BOX 3)

| | | |
|----|---------------|--------------------|
| J | P99-00SR | X8 #4x25mm |
| 5 | PB4791-74FB | X1 |
| 9 | P99-00KSL | x4 1952x76x18mm |
| 10 | PB4791-54F-SS | x12 173x34x34mm |



TOOLS REQUIRED (NOT PROVIDED):

PHILLIPS SCREW DRIVER

GARLAND



254228/B4791-74H Cal.king Panel Bed HB
254227/B4791-74F Cal.king Panel Bed FB
254229/B4791-74R Cal.king Panel Bed Rails



WARNING:
ONLY USE THE HAND
TOOLS PROVIDED