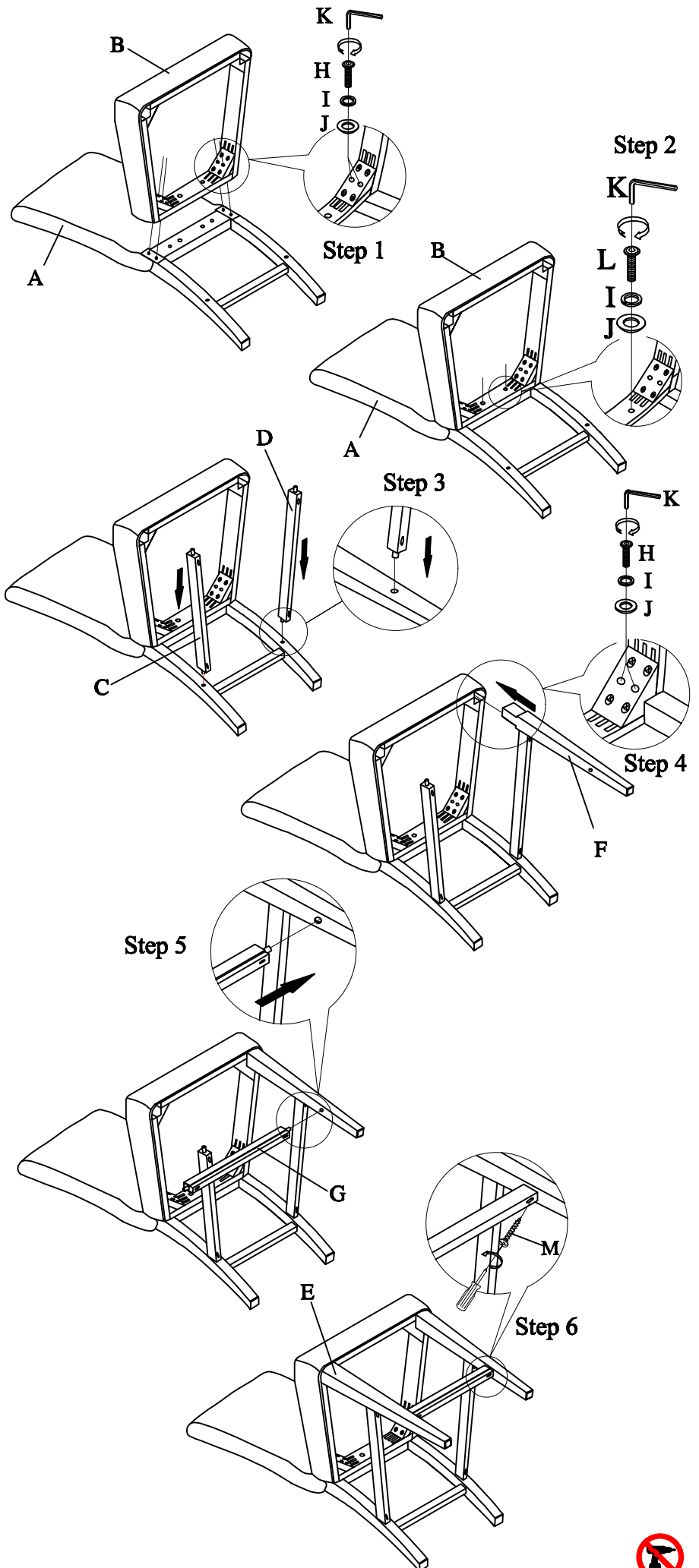


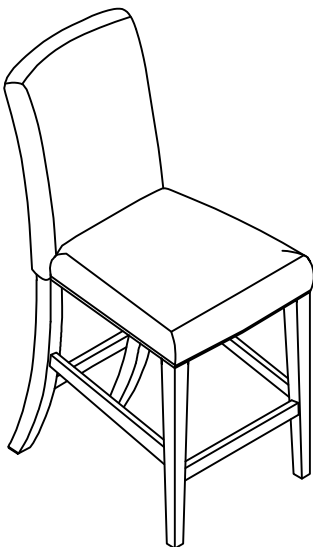


LIVINGSACES

|   |  |  |     |
|---|--|--|-----|
| A | PD5256-83CB<br>CHAIR BACK              |  | X1  |
| B | PD5256-83SE<br>SEAT FRAME              |  | X1  |
| C | PD5256-83SL<br>SIDE STRETCHER(LEFT)    |  | X1  |
| D | PD5256-83SS<br>SIDE STRETCHER(RIGHT)   |  | X1  |
| E | PD5256-83FL<br>FRONT LEG(LEFT)         |  | X1  |
| F | PD5256-83FR<br>FRONT LEG(RIGHT)        |  | X1  |
| G | PD5256-83FB<br>FRONT STRETCHER (METAL) |  | X1  |
| H | PD5256-83HD-H                          |  | X8  |
| I | PD5256-83HD-I                          |  | X10 |
| J | PD5256-83HD-J                          |  | X10 |
| K | PD5256-83HD-K                          |  | X1  |
| L | PD5256-83HD-L                          |  | X2  |
| M | PD5256-83HD-O                          |  | X6  |



CONCORD EXTENSION COUNTER



254063/ D5256-83  
CONCORD UPHOLSTERED COUNTER STOOL

