



LIVING SPACES

PANAMA OUTDOOR RECTANGLE DINING TABLE

19T030A-215100-H
253558

Assembly Instruction

Parts List:

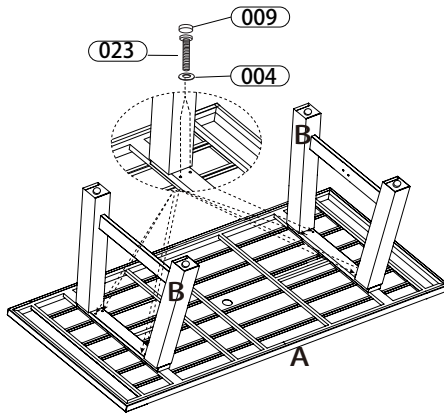
REF	DESCRIPTION	IMAGE	QTY
A	DESK TOP		1
B	TABLE FEET		2
C	LINKS		1
D	RING CAP		1

Hardware List:

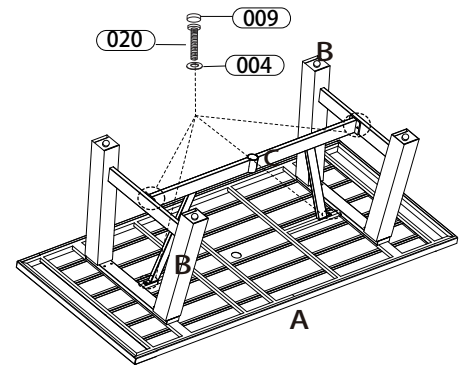
REF	DESCRIPTION	IMAGE	QTY
020	BOLT (M6*25L)		6
023	BOLT (M6*40L)		8
004	WASHER (M6,ID Ø6.5,OD Ø12)		14
009	PLASTIC BOLT CAP (M6)		14
001	ALLEN WRENCH (M6)		2

Diagram:

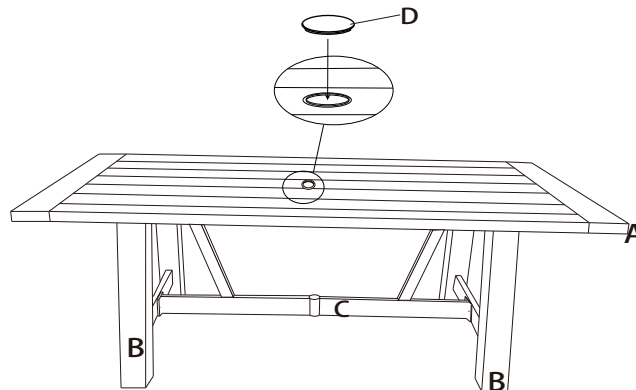
Step 1



Step 2



Step 3



Assembly Steps:

Tip- Remove protective wrapping and lay all parts on floor. Identify all parts packed in Carton against attached parts list to make sure all parts are presented.

Step 1: Install (B) on (A).as shown in diagram, using bolt (023) and washer (004).cover with(009)cap.

Step 2: Install (C) on (B).as shown in diagram, using bolt (020) and washer (004).cover with(009)cap.

Step 3: After all bolts are aligned properly before tightening. With a second person's Assistance carefully turn the table over onto its legs. Make sure legs rest on a flat surface.Finally close the ring cap (D)

NOTE: IT IS USER'S RESPONSIBILITY TO MAKE SURE ALL PARTS ARE ASSEMBLED AND TIGHTENED PROPERLY AND SECURELY.