



LIVING SPACES

# HAYES OUTDOOR BANQUETTE DINING TABLE

17T212A-W-9

253555

## Assembly Instruction

### Parts List:

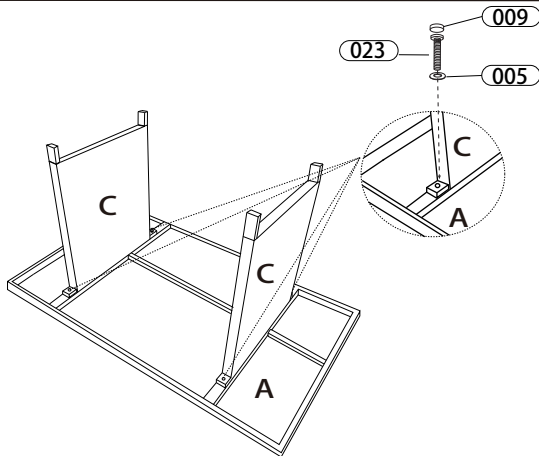
REF	DESCRIPTION	IMAGE	QTY
A	TABLE RIM		1
B	TABLE FRAME		1
C	TABLE LEG		2
D	CONNECTING ROD		1

### Hardware List:

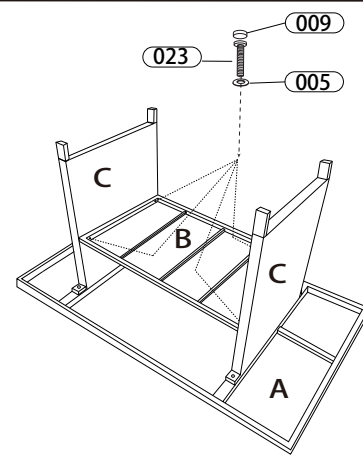
REF	DESCRIPTION	IMAGE	QTY
020	BOLT (M6*25L)		4
023	BOLT (M6*40L)		8
005	WASHER (M6,IDΦ6.5,ODΦ16)		12
009	PLASTIC BOLT CAP (M6)		12
001	ALLEN WRENCH (M6)		1

### Diagram:

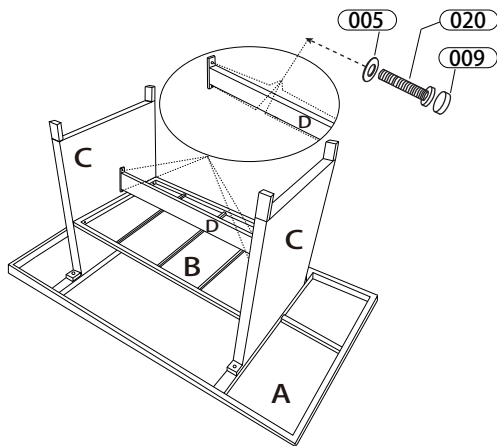
#### Step 1



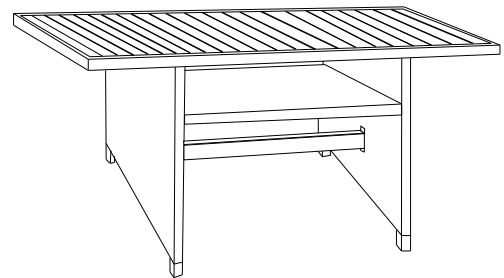
#### Step 2



#### Step 3



#### Step 4



### Assembly Steps:

Tip- Remove protective wrapping and lay all parts on floor. Identify all parts packed in Carton against attached parts list to make sure all parts are presented.

Step 1: Install (C) on (A).As shown in diagram, using bolt (023 ) and washer (005).cover with(009 )cap.

Step 2: Install (B) on (C).As shown in diagram, using bolt (023 ) and washer (005).cover with( 009 )cap.

Step 3: Install (D) on (C).As shown in diagram, using bolt (020 ) and washer (005).cover with (009 )cap.

Step 4: After all bolts are aligned properly before tightening. With a second person's Assistance carefully turn the Sofa over onto its legs. Make sure legs rest on a flat surface.

**NOTE: IT IS USER'S RESPONSIBILITY TO MAKE SURE ALL PARTS ARE ASSEMBLED AND TIGHTENED PROPERLY AND SECURELY.**