

CLEVE DINING TABLE

249897

Assembly instructions:

PARTS LIST

No.	DESCRIPTION	IMAGE	Q'TY
P1	TABLE TOP		1
P2	LEG 1		1
P3	LEG 2		1
P4	CROSS BAR		1

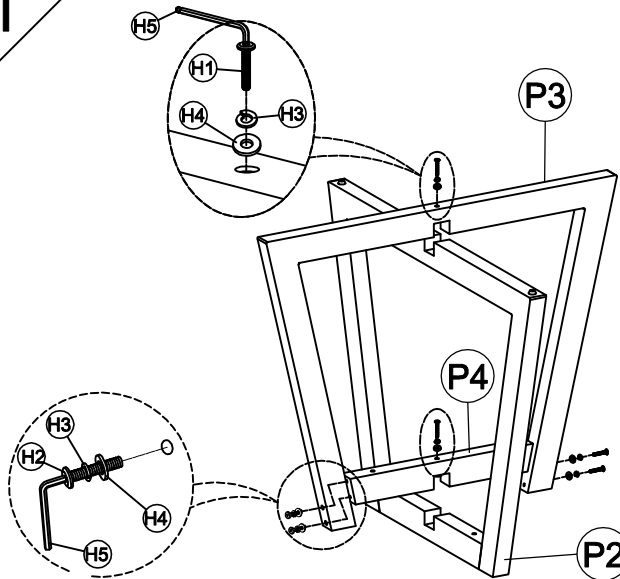
HARDWARE LIST

No.	DESCRIPTION	IMAGE	Q'TY
H1	BOLT (Ø5/16" x 40 MM)		2
H2	BOLT (Ø5/16" x 65 MM)		8
H3	SPRING WASHER(Ø5/16"x13)		10
H4	FLAT WASHER (Ø5/16"x16)		10
H5	ALLEN KEY		1

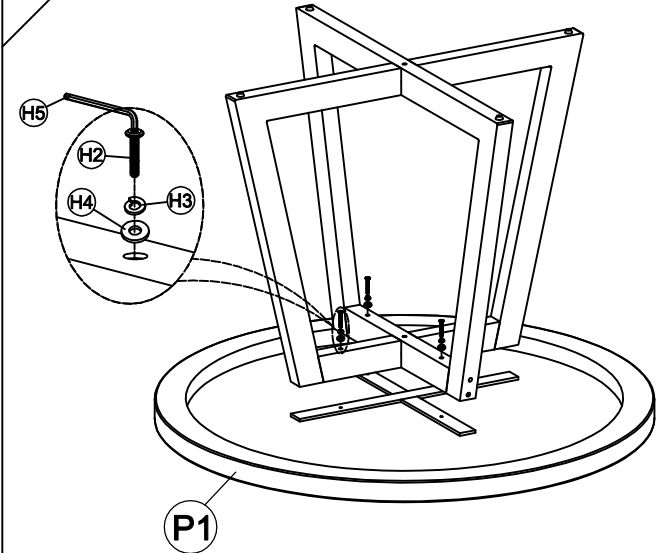
NOTE: PO # is located underneath/ at the back side of each item. Please be prepared to provide this # should any claim be necessary.

CAUTION: Item is heavy. Assembly should be performed by two people.

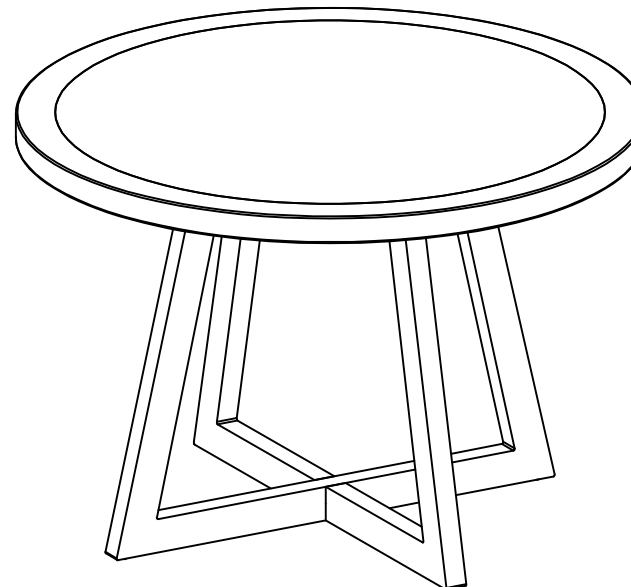
1



2



3



ASSEMBLED COMPLETED