

# LIVING SPACES

## OWNER'S MANUAL

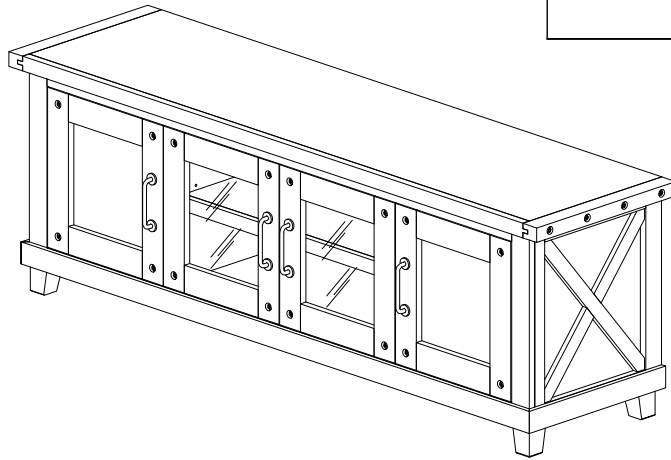
JAXON GREY 4-DOOR MED CONSOLE / TV STAND  
 LIVING SPACES SKU : 249578  
 VENDOR ITEM NO. : 7YU626C



Scan QR code to view assembly video

### ASSEMBLY PARTS LIST

SKU #	IMAGE	DESCRIPTION	QUANTITY	HARDWARE KIT PACKED IN BOX			
				SKU #	IMAGE	DESCRIPTION	QUANTITY
249578-1		4 DOOR ENTERTAINMENT UNIT	1	7YZZ26CHW-1		ALLEN BOLT (M6X50MM)	4
7YU626LG		LEGS	4	7YZZ26CHW-2		FLAT WASHER (M6)	4
7YU626CL		CENTER SUPPORT LEG	2	7YZZCPHLS		DOOR HANDLE	4
FULLY ASSEMBLED				7YZZ26CHW-4		DOOR HANDLE BOLT (M4X30MM)	8
				7YZZ26CHW-5		ALLEN KEY	1



### PRE-ASSEMBLED PARTS LIST

SKU #	IMAGE	DESCRIPTION	SKU #	IMAGE	DESCRIPTION
7YZZCPHLS		HANDLE	7YZZCPFC18		FOOT CAP
7YZZ84GMG		DOOR MAGNET	7YZZ26HG		DOOR HINGE
7YU626CSHM		MIDDLE SHELF	7YU626CSHLR		LEFT/RIGHT SHELF
RPZZCPSSP		SHELF SUPPORT PIN	7YZZCPBTS		DECORATIVE NUT & BOLT

# LIVING SPACES

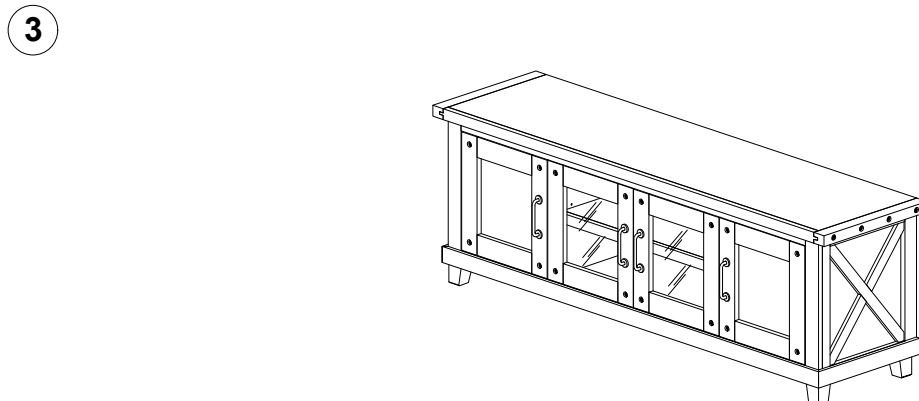
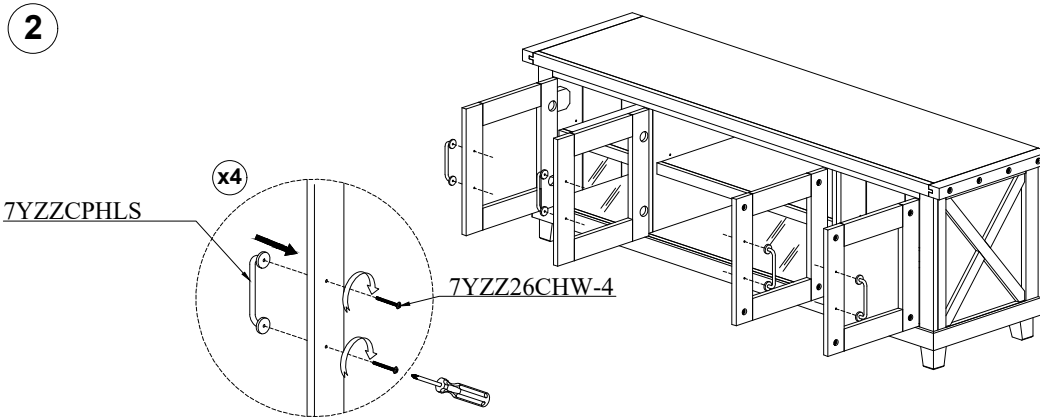
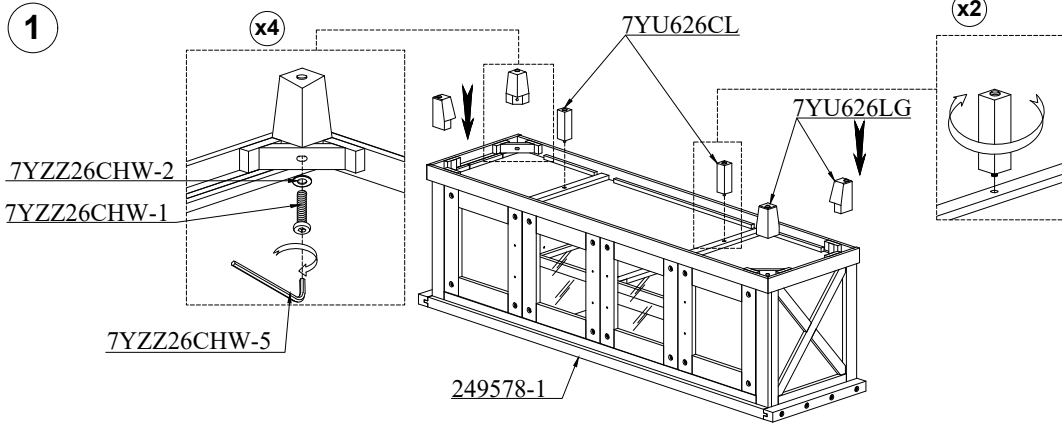
## OWNER'S MANUAL

JAXON GREY 4-DOOR MED CONSOLE / TV STAND  
LIVING SPACES SKU : 249578  
VENDOR ITEM NO. : 7YU626C



Scan QR code to view assembly video

### ASSEMBLY INSTRUCTIONS



**ASSEMBLY COMPLETE**

# LIVING SPACES

## OWNER'S MANUAL

JAXON GREY 4-DOOR MED CONSOLE / TV STAND  
LIVING SPACES SKU : 249578  
VENDOR ITEM NO. : 7YU626C



*Scan QR code to view assembly video*



### **WARNING:**

- Maximum distributed load capacity: 285 lbs.
- Sitting, standing or jumping on this product may result in damage or injury.

### **ROUTINE MAINTENANCE:**

Periodically check all fittings and tighten if necessary, as they can loosen over time.

### **CARE AND CLEANING:**

#### **GLASS:**

Clean with a slightly damp cloth and dry immediately with a lint-free cloth. Use only mild detergents and cleaning solutions which are recommended for cleaning glass. Use coasters and placemats on glass table tops to prevent marking on the surface of your product.

#### **SOLID WOOD FURNITURE:**

Congratulations on purchasing this handcrafted solid wood furniture product. Please keep in mind that wood is sensitive to changes in humidity. As the weather changes so does the relative humidity in your home and the moisture content of your solid wood furniture. We have taken every precaution to stabilize the lumber used to build this product. Still, you may observe plank movement or small cracks as the seasons change, particularly during the first 6-12 months of ownership. This is normal for solid wood furniture and will not affect the performance or longevity of this product.

Dust frequently with a clean, damp, lint-free cloth. Frequent dusting will remove abrasive build-up which can damage a finish over time. Avoid using oily polishes or waxes. Avoid exposing your furniture to strong sunlight. Prolonged exposure to direct sunlight can fade the finish of your furniture. Do not expose your furniture to any liquids. Never allow water to sit on your furniture. Do not place hot items on top of surface, always use a mat or other protector. Alcohol, nail polish and perfume are also dangerous, as they can dissolve the furniture finish on contact and may require professional repairs.