

7030-01170 KIT



Summit Collection: Roomsaver Twin Bed

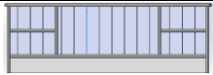
4660 Headboard/4661 Frame Rails/4662 Twin Ends



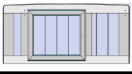

(Scan code for instructional video)

PARTS LIST



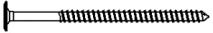







BOX 1: 4660 Summit Roomsaver Headboard

Part #	Picture	Description	Quantity
4660		Summit Roomsaver Headboard	1

BOX 2: 4662 Summit Roomsaver Twin Ends

Part #	Picture	Description	Quantity
S0174END		Summit Roomsaver Twin Left End	1
S0175END		Summit Roomsaver Twin Right End	1

BOX 3: 4661 Summit Roomsaver Twin Frame

Part #	Picture	Description	Quantity
S1010SRL		5/4 x 4 x 75 Mattress Rail	2
149383/40		Twin Individual Slat	3
5040-43183		7MM x 100MM Decorative Lag Bolt	8
ALNWR		4MM Allen Wrench	1
PWRDD		4MM Power Drill Driver	1
5045-40106		4" x 2" Mending Plate	2
5045-40100		2" Mending Plate	2
5045-40102		2" x 3" Angle Bracket	4
5040-35062		#8 x 1" Phil Pan Zinc Screw	32
5040-35410		#6 x 1 1/4 Phil Flat Slat Scw	10

Make sure you have all parts before beginning assembly. If you need a part, contact Living Space

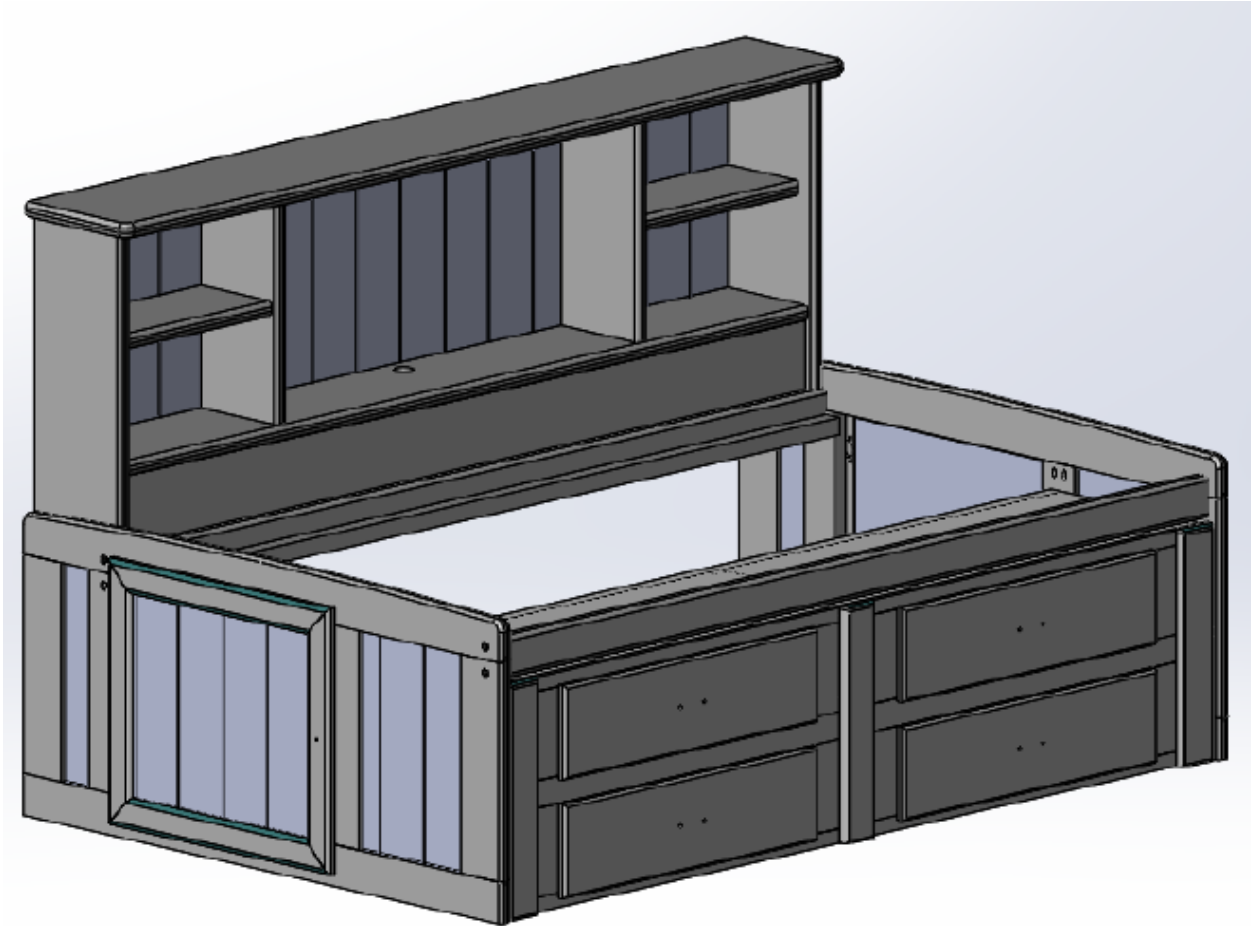
TOOLS REQUIRED:

- 1) 4 MM Allen Wrench (INCLUDED)
- 2) Phillips Head Screwdriver

NOTE: Tool recommended: Electric driver for 4 MM Allen Bit

BE SURE THAT LAG BOLTS ARE
STARTED INTO THE HOLES
 ON THE FRAME RAILS DURING
 ASSEMBLY.
 START LAG BOLTS INTO ALL RAILS
 BEFORE TIGHTENING.

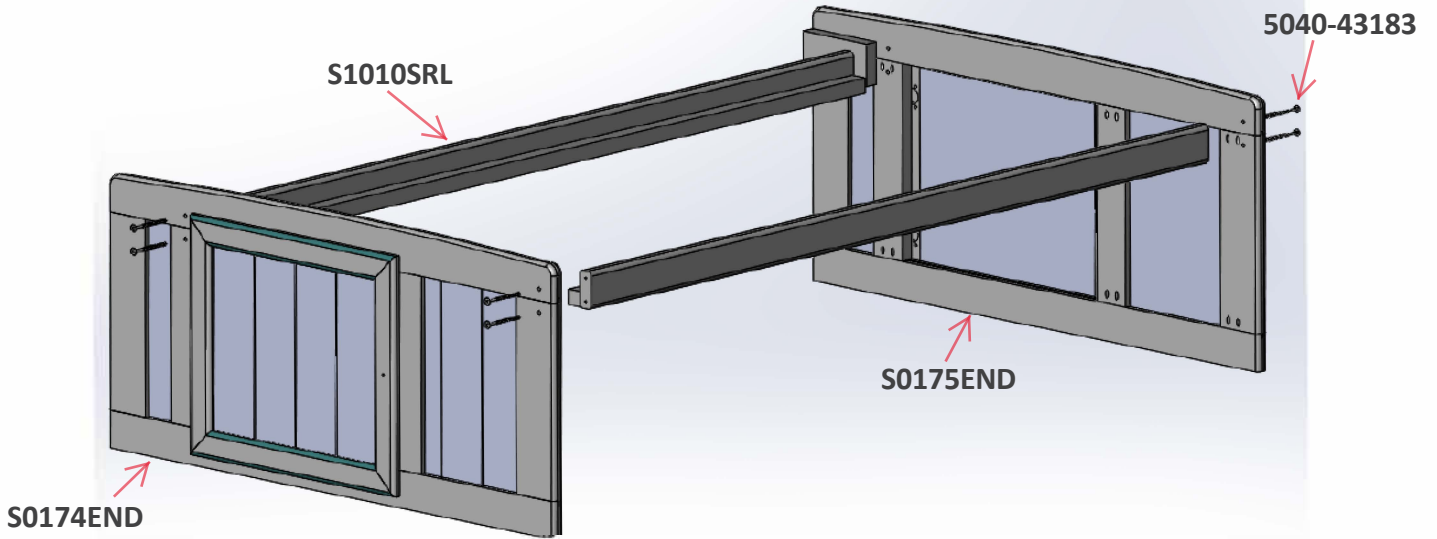
COMPLETED ASSEMBLY



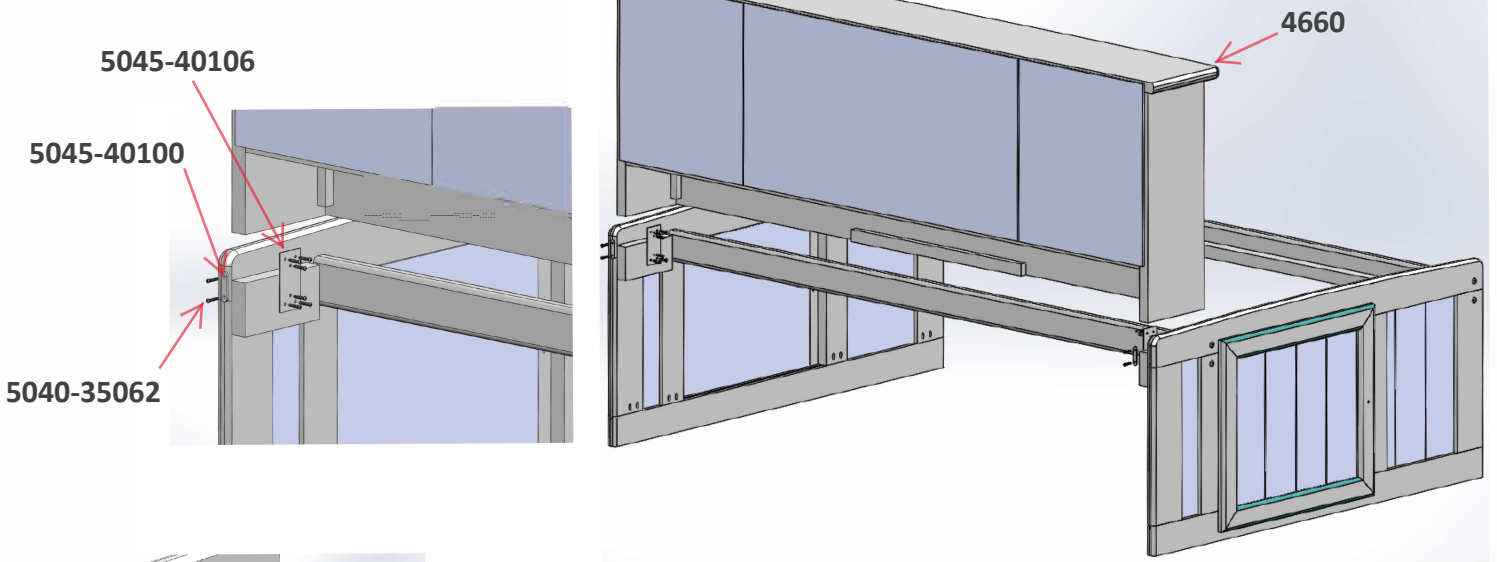
ASSEMBLY INSTRUCTIONS

- 1) Attach two mattress rails to left/right end assemblies with 8 lag bolts, and tighten.
- 2) Place headboard on top of support blocks on inside of end structures and secure it using both the 4"x2" and the 2" mending plates per below illustration. Use 16 of the 5040-35062 screws.
- 3) Slide underdresser underneath front rail and attach, placing the 4 angle brackets in accordance with the below illustration. Use the remainder of the 5040-35062 screws.
- 4) Place 3 mattress supports on mattress rail support cleats with one support in the center, and a support pushed tightly against each end assembly.
- 5) Secure the mattress supports and slat kit (purchased separately) using the 5040-35410 screws in accordance with the diagram on the last page of these instructions.
- 6) Add a dealer-supplied bunk board or slat kit and the proper thickness innerspring bunk mattress.

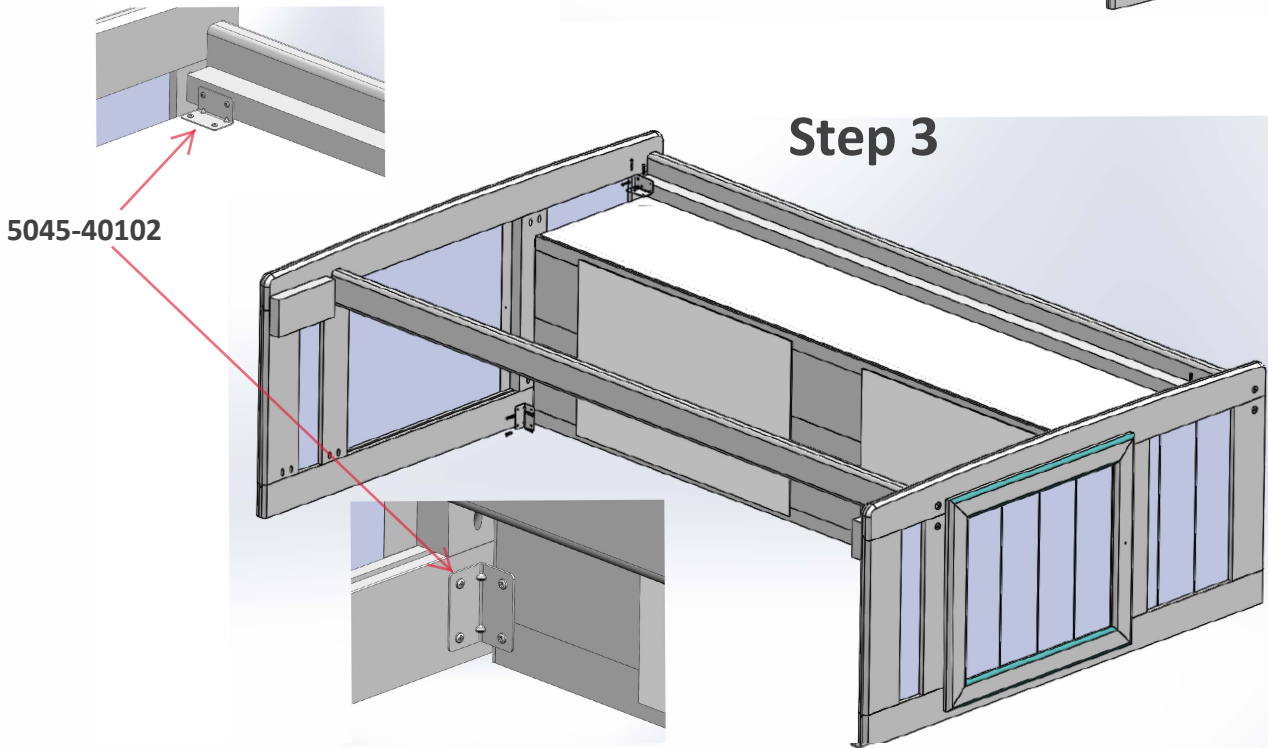
Step 1



Step 2



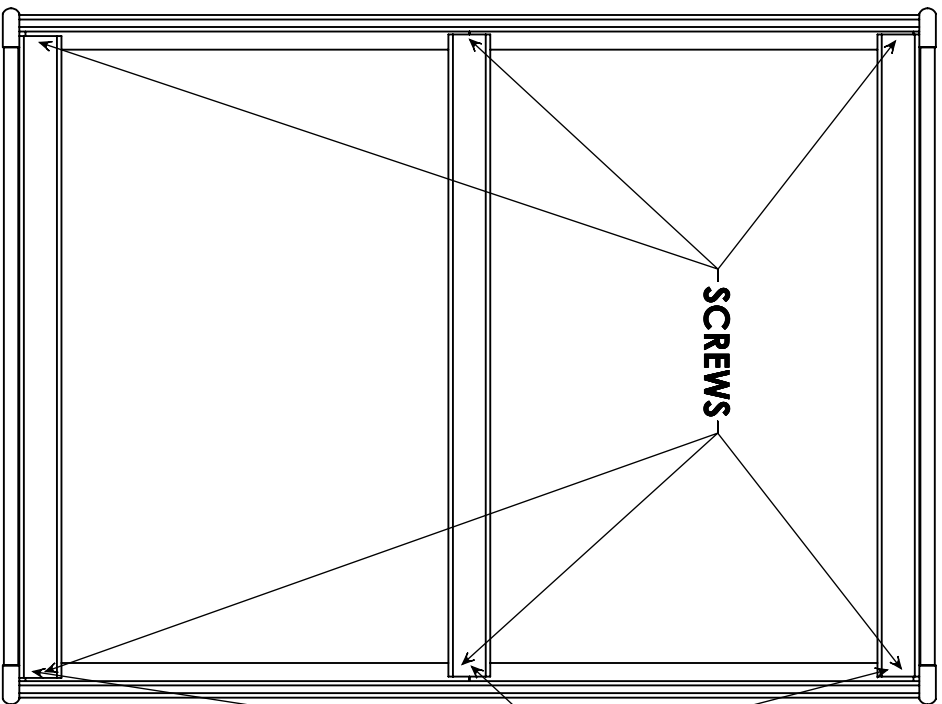
Step 3



Scan Code for Instructional video



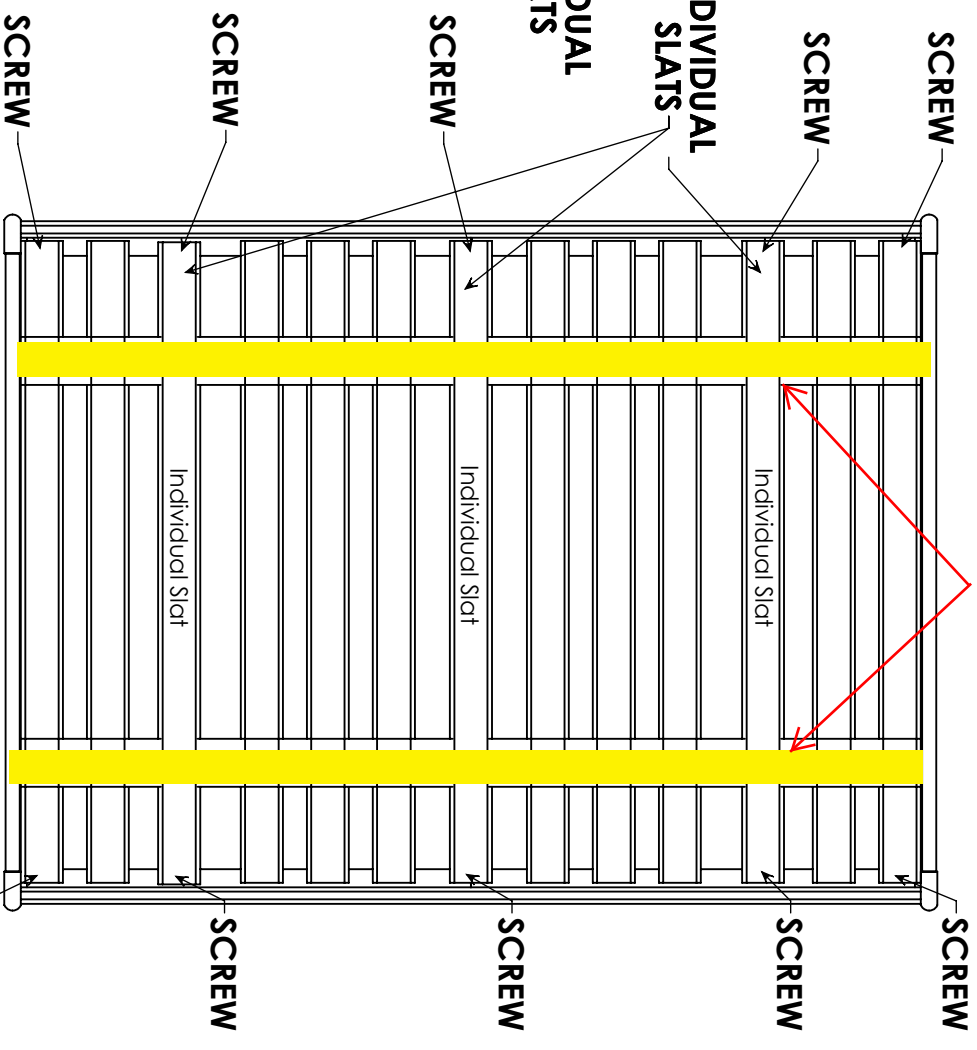
Diagram 1



Installation of individual slats for use with
Bunkie Board
(Bunkie Board sold separately)
See your retailer for purchase of Bunkie
Board

When used with a slot roll, the three
individual slats should be placed evenly in the gaps
and underneath the strapping before fastening.

Diagram 2



Installation of individual slats for use with
Slot Roll
(Slot roll sold separately)
See your retailer for purchase of Slot Roll

7030-01195 KIT



(Scan code for instructional video)

Mateo/Summit Collections: Knob and Pull Installation

1. Locate the box containing your knobs and/or pulls in the bottom drawer of your case good.
2. Identify which of the screw sizes is correct for your drawers/doors. The screw should protrude no more than 1/4" when pushed through the pre-drilled holes on your drawers/doors.
3. Push the screw through the back of the pre-drilled hole on the drawer/door and line it up with the thread on the back of the knob/pull.
4. Tighten the screw into the back of the knob/pull until the knob/pull is tight against the front of your drawer/door.

****You can tighten your screws with either a phillips screwdriver, a drill with a phillips bit, or your hand****

