



# ASSEMBLY INSTRUCTIONS

## ITEM:305-D310-600

### VANITY STOOL

Thank you for purchasing this quality product. Be sure to check all packing material carefully for small hardware which may have come loose inside the carton during shipment. Identify and count all hardware and compare with the hardware list below.

When placing furniture on non-carpeted flooring, HMI recommends the use of floor protection such as an area rug or furniture pads. Area rugs and padding not included with purchase.

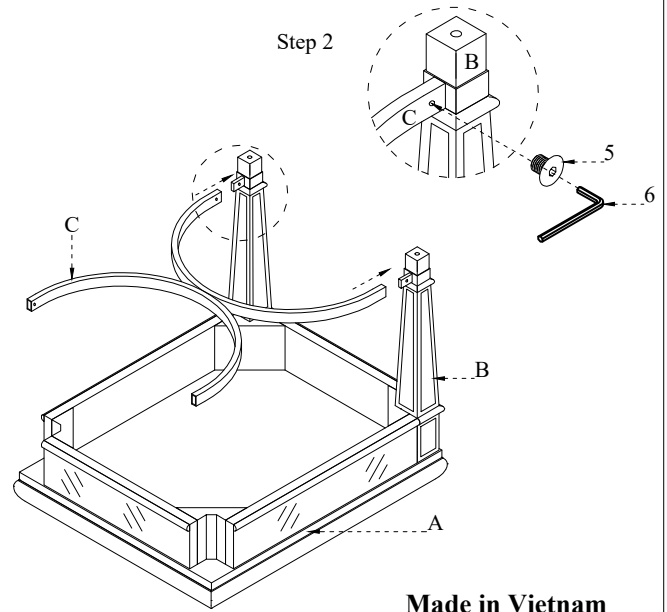
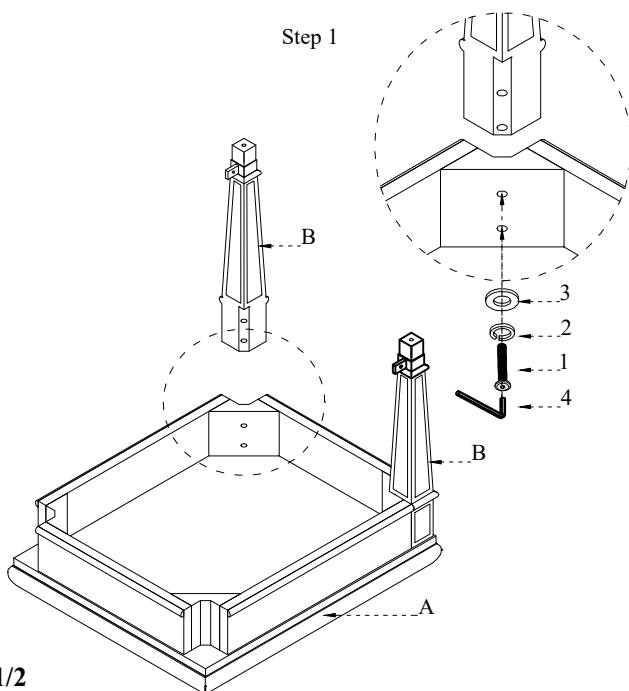
Antes de colocar el mueble en un suelo sin alfombra, HMI recomienda protegerlo con un tapete o almohadillas, por ejemplo. Tapete y almohadillas no incluidos.

#### PARTS LIST:

#### HARDWARE LIST:

NO.	Description	Drawing	Quantity
A	Vanity Stool		1
B	Legs		4
C	Metal Frame		1

NO.	Description	Drawing	Size	Quantity
1	Bolt		Ø5/16"*1-3/4"	8
2	Lock washer		Ø5/16"	8
3	Flat washer		Ø5/16"*Ø3/4"	8
4	Allen key		M5*65L	1
5	Bolt		Ø1/4"*1/4"	4
6	Allen key		M4*65L	1





# ASSEMBLY INSTRUCTIONS

## ITEM:305-D310-600

### VANITY STOOL

Thank you for purchasing this quality product. Be sure to check all packing material carefully for small hardware which may have come loose inside the carton during shipment. Identify and count all hardware and compare with the hardware list below.

When placing furniture on non-carpeted flooring, HMI recommends the use of floor protection such as an area rug or furniture pads. Area rugs and padding not included with purchase.

Antes de colocar el mueble en un suelo sin alfombra, HMI recomienda protegerlo con un tapete o almohadillas, por ejemplo. Tapete y almohadillas no incluidos.

