



ASSEMBLY INSTRUCTIONS

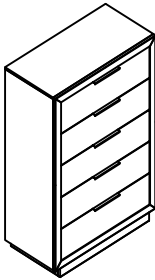
ITEM 305-P141-124

DRAWER CHEST

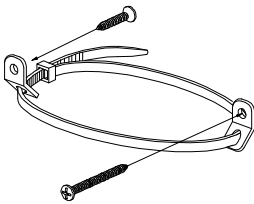
Thank you for purchasing this quality product. Be sure to check all packing material carefully for small hardware which may have come loose inside the carton during shipment. Identify and count all hardware and compare with the hardware list below.

When placing furniture on non-carpeted flooring, HMI recommends the use of floor protection such as an area rug or furniture pads. Area rugs and padding not included with purchase.

PARTS LIST

NO.	Description	Sketch	Quantity
1	Drawer Chest		1

HARDWARE LIST

NO.	Description	Sketch	Quantity
A	Furniture Tipping Restraint		1

TOLL SREQUIRED (NOT PROVIDED)



PHILLIPSSCREWDRIVER

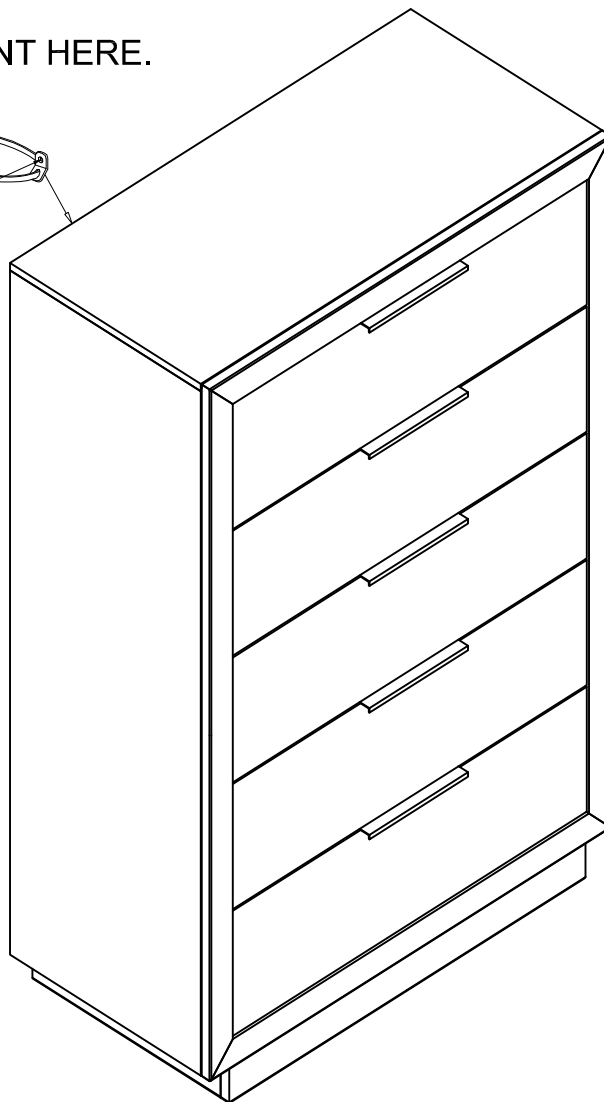
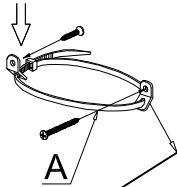


ASSEMBLY INSTRUCTIONS

ITEM 305-P141-124

DRAWER CHEST

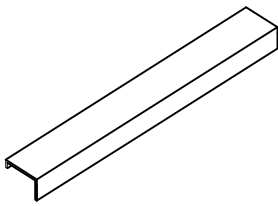
TIPPING
RESTRAINT HERE.



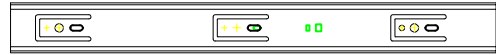
REPLACEMENT PARTS

ITEM 305-P141-124

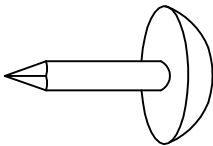
DRAWER CHEST



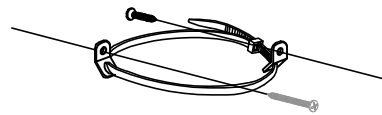
x5 R305-P141100-PULL
Pull with Screw



x5 COMGLIDE-10-45
Common Glide 10in-45mm



x4 RC-BR-NAIL
Brown plastic nail



x1 RC-ANTI-TIP
Antitipping Restraint