



## ASSEMBLY INSTRUCTIONS

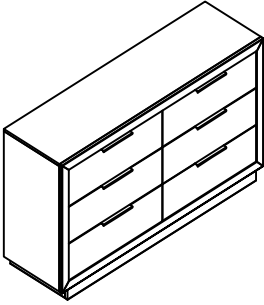
ITEM 305-P141-100

### **DRAWER DRESSER**

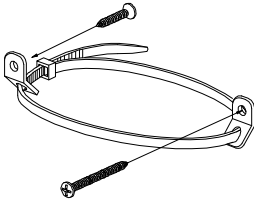
Thank you for purchasing this quality product. Be sure to check all packing material carefully for small hardware which may have come loose inside the carton during shipment. Identify and count all hardware and compare with the hardware list below.

When placing furniture on non-carpeted flooring, HMI recommends the use of floor protection such as an area rug or furniture pads. Area rugs and padding not included with purchase.

### **PARTS LIST**

NO.	Description	Sketch	Quantity
1	Dresser		1

### **HARDWARE LIST**

NO.	Description	Sketch	Quantity
A	Furniture Tipping Restraint		1

TOLL SREQUIRED (NOT PROVIDED)



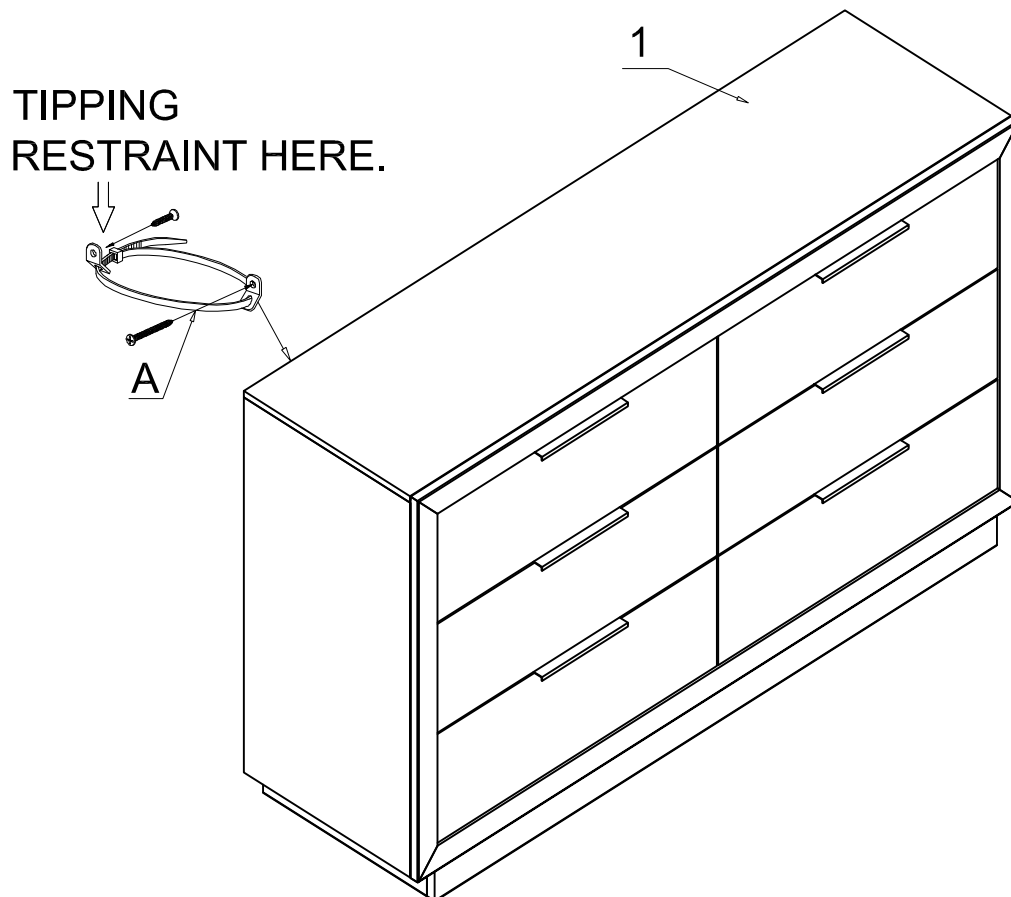
PHILLIPSSCREWDRIVER



ASSEMBLY INSTRUCTIONS

ITEM 305-P141-100

**DRAWER DRESSER**

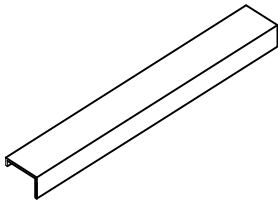




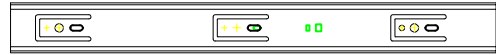
REPLACEMENT PARTS

ITEM 305-P141-100

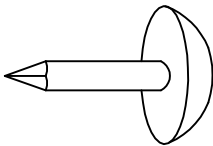
**DRAWER DRESSER**



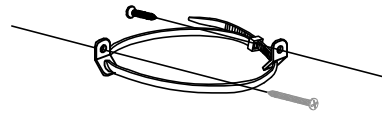
x6 R305-P141100-PULL  
Pull with screw



x6 COMGLIDE-10-45  
Common Glide 10in-45mm



x4 RC-BR-NAIL  
Brown plastic nail



x1 RC-ANTI-TIP  
Anti-tipping Restraint