



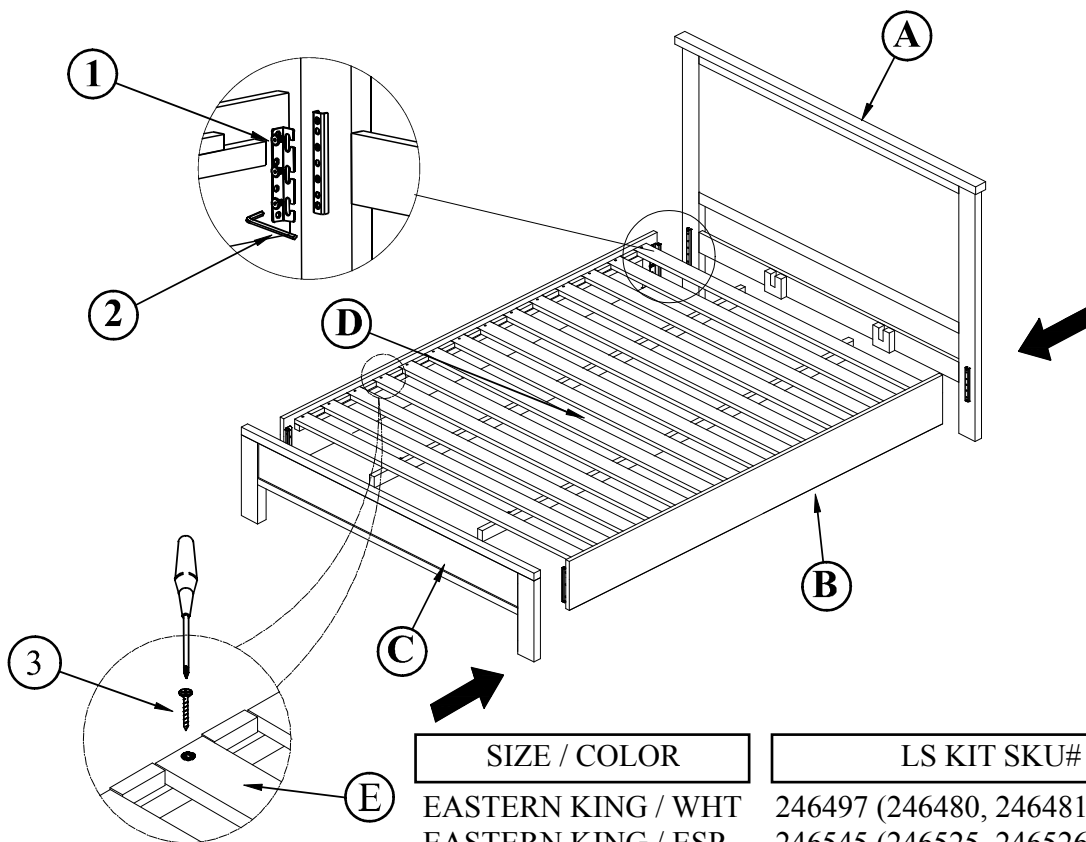
ASSEMBLY INSTRUCTIONS LARKIN PANEL BED LIVING SPACES (EASTERN KING & CAL KING SIZE)



CAUTION: PLEASE READ ALL INSTRUCTIONS BEFORE STARTING THE ASSEMBLY OF THIS PRODUCT. THESE PIECES ARE HEAVY. IN ORDER TO PREVENT PERSONAL INJURY AND ENSURE THAT THIS PRODUCT IS NOT DAMAGED DURING THE ASSEMBLY PROCESS, IT IS STRONGLY RECOMMENDED THAT YOU ENLIST THE ASSISTANCE OF ONE OR MORE PEOPLE.

ATTENTION: VEUILLEZ LIRE, TOUTES LES INSTRUCTIONS AVANT DE COMMENCER L'ASSEMBLAGE DE CE PRODUIT. LES PIÈCES SONT LOURDES. POUR ÉVITER TOUTE BLESSURE ET POUR VOUS ASSURER QUE LE PRODUIT N'EST PAS ENDOMMAGÉ PENDANT L'ASSEMBLAGE, NOUS VOUS RECOMMANDONS DE FAIRE APPEL À UNE OU PLUSIEURS AUTRES PERSONNES.

CUIDADO: FAVOR DE LEER TODAS LAS INSTRUCCIONES ANTES DE ENSAMBLAR SU PRODUCTO. ESTAS PIEZAS SON PESADAS. PARA PREVENIR HERIDAS PERSONALES Y ASEGURAR QUE SU PRODUCTO NO SEA DAÑADO MIENTRAS ES ENSAMBLADO. SE LE RECOMIENDA LA ASISTENCIA DE UNA O MAS PERSONAS.



Screw drivers not included

SIZE / COLOR	LS KIT SKU#
EASTERN KING / WHT	246497 (246480, 246481, 246495)
EASTERN KING / ESP	246545 (246525, 246526, 246528)
CAL KING / WHT	248652 (246477, 246489, 246490)
CAL KING / ESP	246520 (246518, 246535, 246536)

LIST OF PARTS AND HARDWARE				
No.	Description			Q'ty
A		HEADBOARD	(Box 1 of 3)	1
B		SIDE RAIL	(Box 2 of 3)	2
C		FOOTBOARD	(Box 1 of 3)	1
D		CENTER RAIL	(Box 2 of 3)	2
E		MATTRESS SLAT	(Box 3 of 3)	14

LIST OF PARTS AND HARDWARE				
No.	Description (Box 2 of 3)			Q'ty
1		BOLTS	M8x 10	12
2		ALLEN KEY K4		1
3		SCREW	M4 x 30	28
4				
5				