



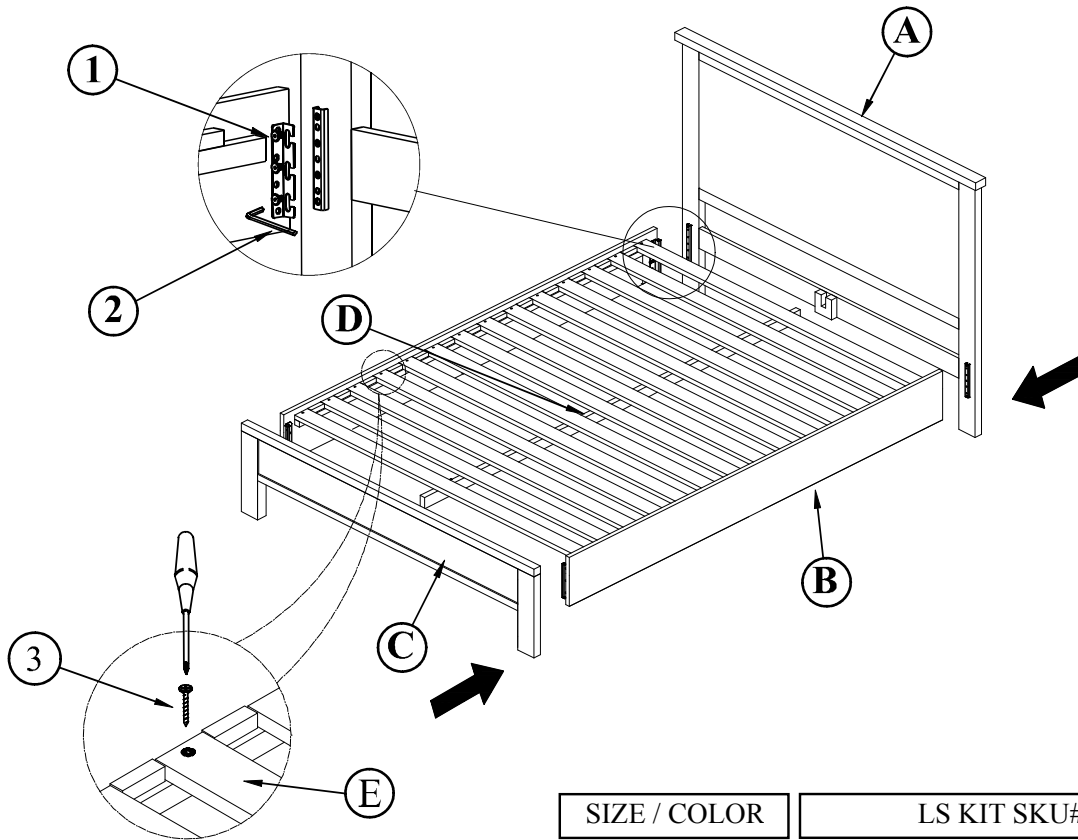
ASSEMBLY INSTRUCTIONS LARKIN PANEL BED (QUEEN SIZE)



CAUTION: PLEASE READ ALL INSTRUCTIONS BEFORE STARTING THE ASSEMBLY OF THIS PRODUCT. THESE PIECES ARE HEAVY. IN ORDER TO PREVENT PERSONAL INJURY AND ENSURE THAT THIS PRODUCT IS NOT DAMAGED DURING THE ASSEMBLY PROCESS, IT IS STRONGLY RECOMMENDED THAT YOU ENLIST THE ASSISTANCE OF ONE OR MORE PEOPLE.

ATTENTION: VEUILLEZ LIRE, TOUTES LES INSTRUCTIONS AVANT DE COMMENCER L'ASSEMBLAGE DE CE PRODUIT. LES PIÉCES SONT LOURDES. POUR ÉVITER TOUTE BLESSURE ET POUR VOUS ASSURER QUE LE PRODUIT N'EST PAS ENDOMMAGÉ PENDANT L'ASSEMBLAGE, NOUS VOUS RECOMMANDONS DE FAIRE APPEL À UNE OU PLUSIEURS AUTRES PERSONNES.

CUIDADO: FAVOR DE LEER TODAS LAS INSTRUCCIONES ANTES DE ENSAMBLAR SU PRODUCTO. ESTAS PIEZAS SON PESADAS. PARA PREVENIR HERIDAS PERSONALES Y ASEGURAR QUE SU PRODUCTO NO SEA DAÑADO MIENTRAS ES ENSAMBLADO, SE LE RECOMIENDA LA ASISTENCIA DE UNA O MAS PERSONAS.



Screw drivers not included

SIZE / COLOR

LS KIT SKU#

QUEEN / WHT

246501 (246485, 246486, 246500)

QUEEN / ESP

246552 (246529, 246549, 246550)

| LIST OF PARTS AND HARDWARE | | | | |
|----------------------------|-------------|---------------|--------------|------|
| No. | Description | | | Q'ty |
| A | | HEADBOARD | (Box 1 of 3) | 1 |
| B | | SIDE RAIL | (Box 2 of 3) | 2 |
| C | | FOOTBOARD | (Box 1 of 3) | 1 |
| D | | CENTER RAIL | (Box 2 of 3) | 1 |
| E | | MATTRESS SLAT | (Box 3 of 3) | 14 |

| LIST OF PARTS AND HARDWARE | | | | |
|----------------------------|--------------------------|--------------|---------|------|
| No. | Description (Box 2 of 3) | | | Q'ty |
| 1 | | BOLTS | M8x 10 | 12 |
| 2 | | ALLEN KEY K4 | | 1 |
| 3 | | SCREW | M4 x 30 | 28 |
| 4 | | | | |
| 5 | | | | |