



LIVING SPACES

ASSEMBLY INSTRUCTIONS

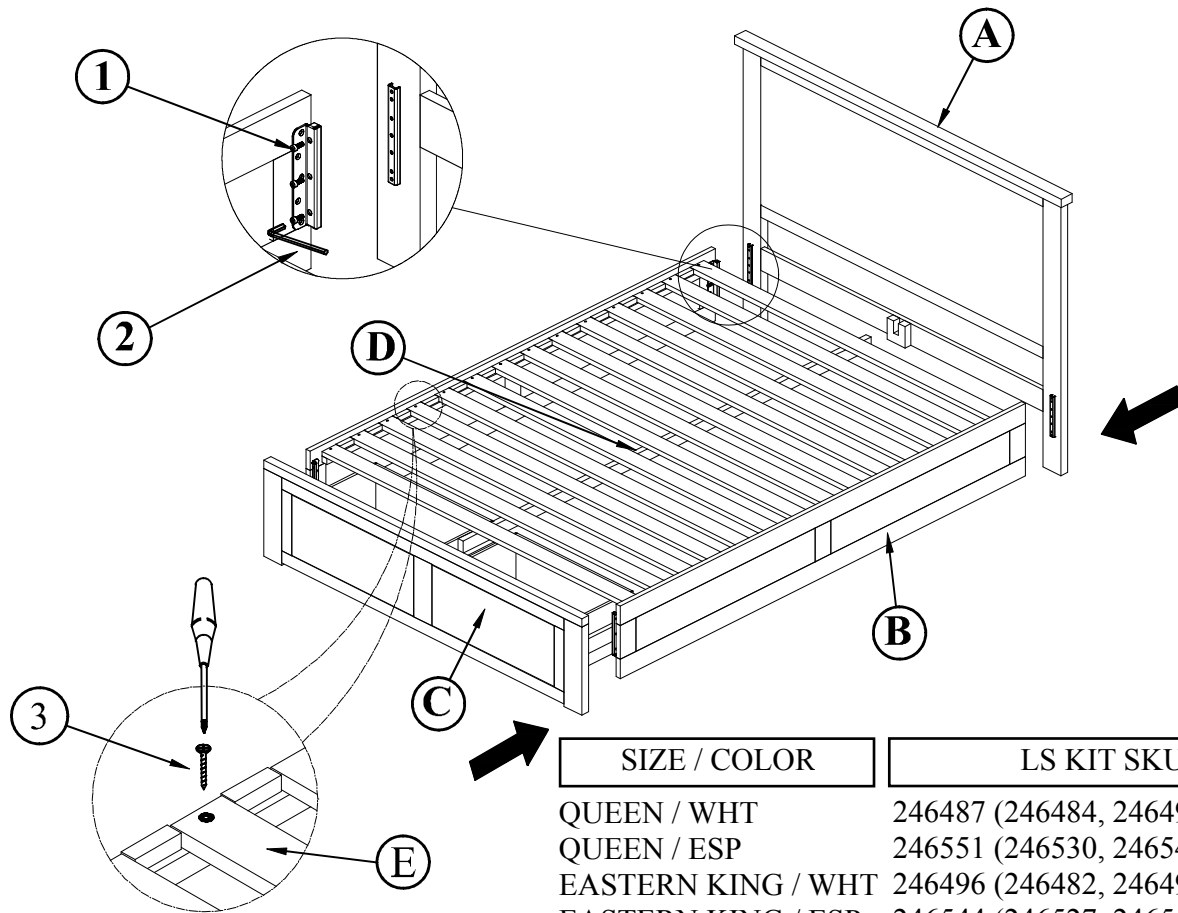
LARKIN STORAGE BED

(QUEEN, EASTERN KING, & CAL KING SIZE)

CAUTION: PLEASE READ ALL INSTRUCTIONS BEFORE STARTING THE ASSEMBLY OF THIS PRODUCT. THESE PIECES ARE HEAVY. IN ORDER TO PREVENT PERSONAL INJURY AND ENSURE THAT THIS PRODUCT IS NOT DAMAGED DURING THE ASSEMBLY PROCESS, IT IS STRONGLY RECOMMENDED THAT YOU ENLIST THE ASSISTANCE OF ONE OR MORE PEOPLE.

ATTENTION: VEUILLEZ LIRE, TOUTES LES INSTRUCTIONS AVANT DE COMMENCER L'ASSEMBLAGE DE CE PRODUIT. LES PIECES SONT LOURDES. POUR EUVITER TOUTE BLESSURE ET POUR VOUS ASSURER QUE LE PRODUIT N'EST PAS ENDOMMAGE' PENDANT L'ASSEMBLAGE, NOUS VOUS RECOMMANDONS DE FAIRE APPEL AO UNE OU PLUSIEURS AUTRES PERSONNES.

CUIDADO: FAVOR DE LEER TODAS LAS INSTRUCCIONES ANTES DE ENSAMBLAR SU PRODUCTO. ESTAS PIEZAS SON PESADAS. PARA PREVENIR HERIDAS PERSONALES Y ASEGURAR QUE SU PRODUCTO NO SEA DAÑADO MIENTRAS ES ENSAMBLADO, SE LE RECOMIENDA LA ASISTENCIA DE UNA O MAS PERSONAS.



Screw drivers not included

SIZE / COLOR	LS KIT SKU#
QUEEN / WHT	246487 (246484, 246498, 246499)
QUEEN / ESP	246551 (246530, 246547, 246548)
EASTERN KING / WHT	246496 (246482, 246493, 246494)
EASTERN KING / ESP	246544 (246527, 246542, 246543)
CAL KING / WHT	246478 (246475, 246476, 246488)
CAL KING / ESP	246519 (246533, 246534, 246537)

LIST OF PARTS AND HARDWARE			
No.	Description		Q'ty
A		HEADBOARD	1
B		SIDE RAIL	2
C		FOOTBOARD	1
D		CENTER RAIL	1
E		MATTRESS SLAT	14

LIST OF PARTS AND HARDWARE				
No.	Description			Q'ty
1		BOLTS	M6x 10	12
2		ALLEN KEY K5		1
3		SCREW	M4 x 30	28
4				
5				