



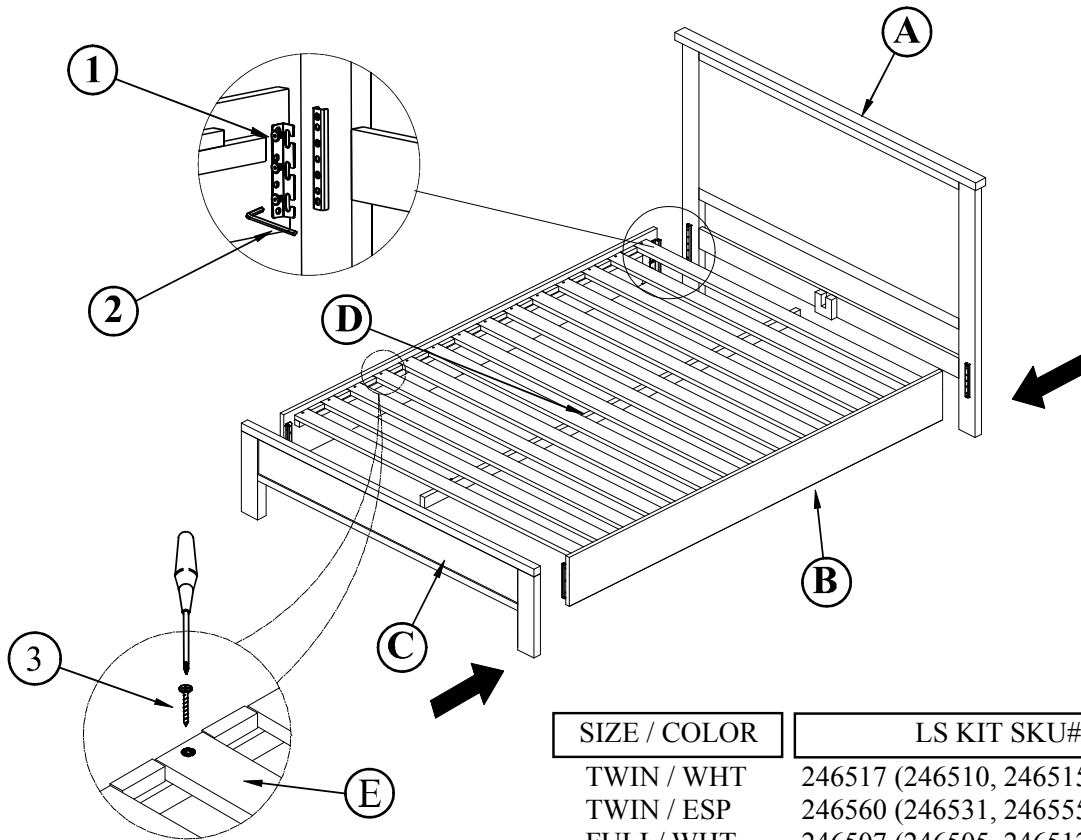
# ASSEMBLY INSTRUCTIONS LARKIN PANEL BED (TWIN & FULL SIZE)



**CAUTION:** PLEASE READ ALL INSTRUCTIONS BEFORE STARTING THE ASSEMBLY OF THIS PRODUCT. THESE PIECES ARE HEAVY. IN ORDER TO PREVENT PERSONAL INJURY AND ENSURE THAT THIS PRODUCT IS NOT DAMAGED DURING THE ASSEMBLY PROCESS, IT IS STRONGLY RECOMMENDED THAT YOU ENLIST THE ASSISTANCE OF ONE OR MORE PEOPLE.

**ATTENTION:** VEUILLEZ LIRE, TOUTES LES INSTRUCTIONS AVANT DE COMMENCER L'ASSEMBLAGE DE CE PRODUIT. LES PIECES SONT LOURDES. POUR EVITER TOUTE BLESSURE ET POUR VOUS ASSURER QUE LE PRODUIT N'EST PAS ENDOMMAGE' PENDANT L'ASSEMBLAGE, NOUS VOUS RECOMMANDONS DE FAIRE APPEL A UNE OU PLUSIEURS AUTRES PERSONNES.

**CUIDADO:** FAVOR DE LEER TODAS LAS INSTRUCCIONES ANTES DE ENSAMBLAR SU PRODUCTO. ESTAS PIEZAS SON PESADAS. PARA PREVENIR HERIDAS PERSONALES Y ASEGURAR QUE SU PRODUCTO NO SEA DAÑADO MIENTRAS ES ENSAMBLADO, SE LE RECOMIENDA LA ASISTENCIA DE UNA O MAS PERSONAS.



Screw drivers not included

SIZE / COLOR	LS KIT SKU#
TWIN / WHT	246517 (246510, 246515, 246516)
TWIN / ESP	246560 (246531, 246555, 246556)
FULL / WHT	246507 (246505, 246512, 246513)
FULL / ESP	246558 (246524, 246539, 246540)

LIST OF PARTS AND HARDWARE				
No.	Description			Q'ty
A		HEADBOARD	(Box 1 of 3)	1
B		SIDE RAIL	(Box 2 of 3)	2
C		FOOTBOARD	(Box 1 of 3)	1
D		CENTER RAIL	(Box 2 of 3)	1
E		MATTRESS SLAT	(Box 3 of 3)	13

LIST OF PARTS AND HARDWARE				
No.	Description (Box 2 of 3)			Q'ty
1		BOLTS	M8x 10	12
2		ALLEN KEY K4		1
3		SCREW	M4 x 30	28
4				
5				