

# LIVING SPACES

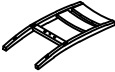













## OWNER'S MANUAL

TIMBER DINING SIDE CHAIR  
LIVING SPACES SKU : 246104  
VENDOR ITEM NO. : 3Q5763

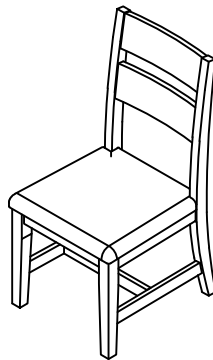


Scan QR code to view assembly video


### ASSEMBLY PARTS LIST

SKU #	IMAGE	DESCRIPTION	QUANTITY	HARDWARE KIT PACKED IN BOX			
				SKU #	IMAGE	DESCRIPTION	QUANTITY
246104-1		CHAIR BACK	2	3QZZ63HW-1		ALLEN BOLT (5/16 X 38MM)	4
246104-2		SEAT	2	3QZZ63HW-2		ALLEN BOLT (5/16 X 60MM)	8
3Q5763LR		RIGHT LEG	2	3QZZ63HW-3		ALLEN BOLT (5/16 X 80MM)	8
3Q5763LL		LEFT LEG	2	3QZZ63HW-4		LOCK WASHER (5/16 X 12MM)	20
3Q5763SR		RIGHT STRETCHER	2	3QZZ63HW-5		FLAT WASHER (5/16 X 19MM)	20
3Q5763SL		LEFT STRETCHER	2	3QZZ63HW-6		WOOD SCREW (4 X 40MM)	12
3Q5763SM		MIDDLE STRETCHER	2	3QZZ63HW-7		ALLEN KEY	2

FULLY ASSEMBLED



### PRE-ASSEMBLED PARTS LIST

SKU #	IMAGE	DESCRIPTION	SKU #	IMAGE	DESCRIPTION
3QZZ63FC		FOOT CAP			

# LIVING SPACES

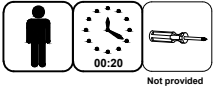
## OWNER'S MANUAL

TIMBER DINING SIDE CHAIR  
LIVING SPACES SKU : 246104  
VENDOR ITEM NO. : 3Q5763

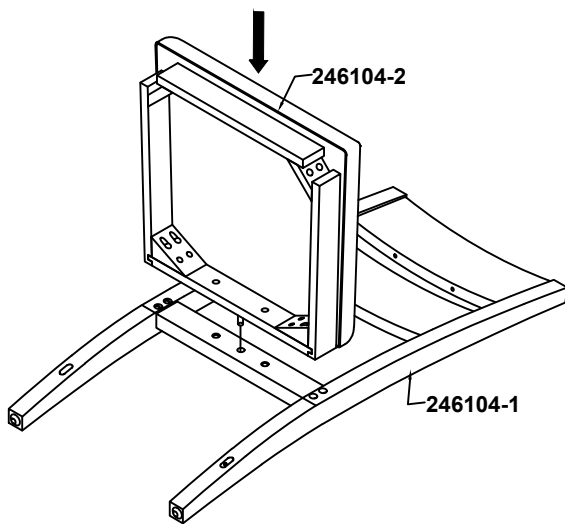


Scan QR code to view assembly video

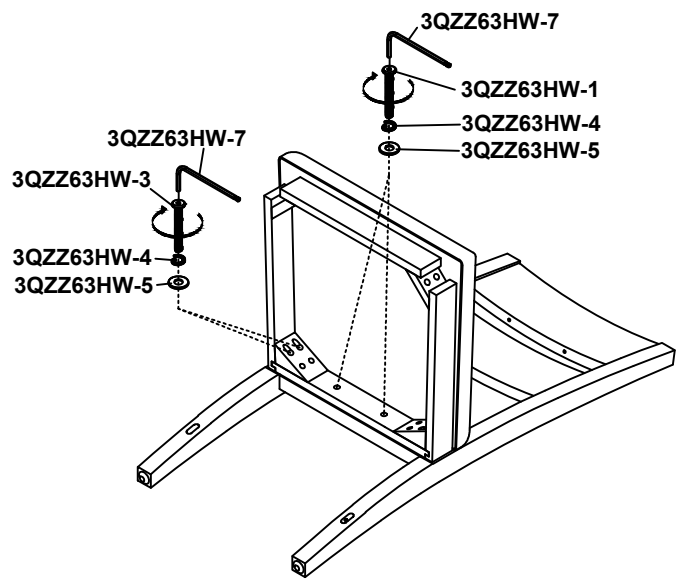
### ASSEMBLY INSTRUCTIONS



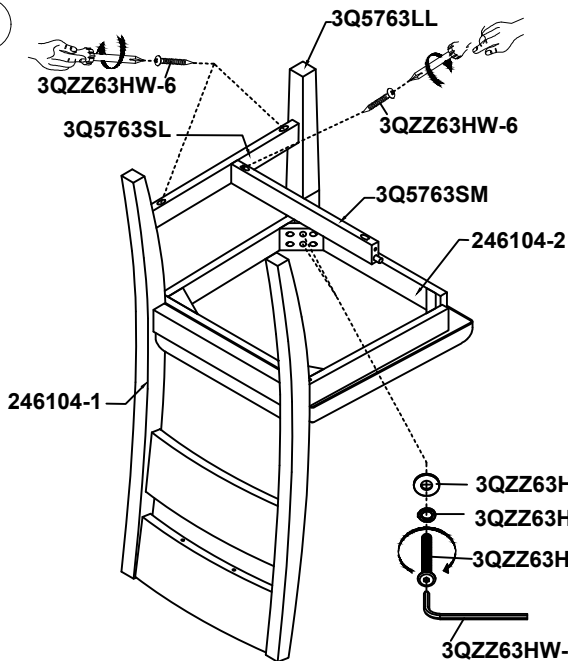
1



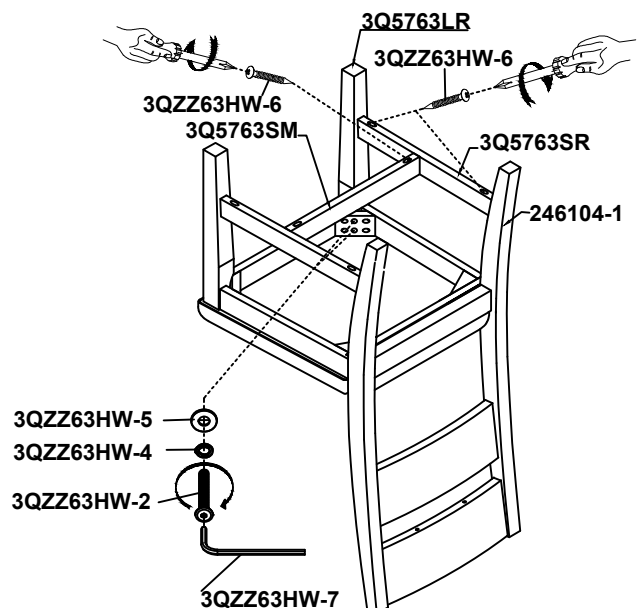
2



3



4



# LIVING SPACES

## OWNER'S MANUAL

TIMBER DINING SIDE CHAIR  
LIVING SPACES SKU : 246104  
VENDOR ITEM NO. : 3Q5763



Scan QR code to view assembly video



### WARNING:

- **Maximum distributed load capacity: 300 lbs.**
- **Standing or jumping on this product may result in damage or injury.**

### ROUTINE MAINTENANCE:

Periodically check all fittings and tighten if necessary, as they can loosen over time.

### CARE AND CLEANING:

#### SOLID WOOD FURNITURE

Congratulations on purchasing this handcrafted solid wood furniture product. Please keep in mind that wood is sensitive to changes in humidity. As the weather changes so does the relative humidity in your home and the moisture content of your solid wood furniture. We have taken every precaution to stabilize the lumber used to build this product. Still, you may observe plank movement or small cracks as the seasons change, particularly during the first 6-12 months of ownership. This is normal for solid wood furniture and will not affect the performance or longevity of this product.

Dust frequently with a clean, damp, lint-free cloth. Frequent dusting will remove abrasive build-up which can damage a finish over time. Avoid using oily polishes or waxes. Avoid exposing your furniture to strong sunlight. Prolonged exposure to direct sunlight can fade the finish of your furniture. Do not expose your furniture to any liquids. Never allow water to sit on your furniture. Do not place hot items on top of surface, always use a mat or other protector. Alcohol, nail polish and perfume are also dangerous, as they can dissolve the furniture finish on contact and may require professional repairs.

#### UPHOLSTERY

Avoid exposing your furniture to strong sunlight. Prolonged exposure to direct sunlight can fade the finish of your furniture. To clean spots and stains, please follow instructions per the fabric cleaning code. An annual professional cleaning is recommended to keep your upholstery looking its best.