

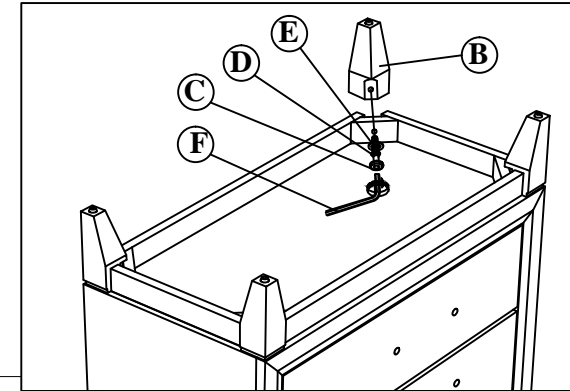
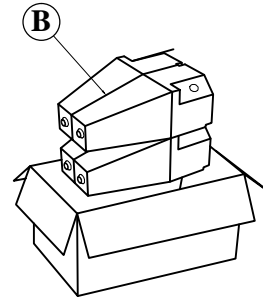
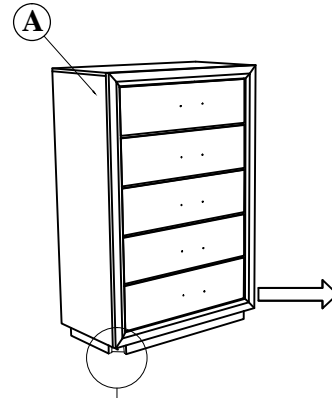
# ASSEMBLY INSTRUCTIONS



LIVING SPACES

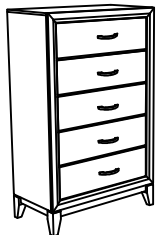
A	CHEST	X1
B	BUN FOOT	X1
C	JCBC BOLT	X4 M6 x 50mm
D	SPRING WASHER	X4 1/4"
E	FLAT WASHER	X4 1/4" ID x 19mm
F	ALLEN KEY	X1 M4 x 65mm

## 1

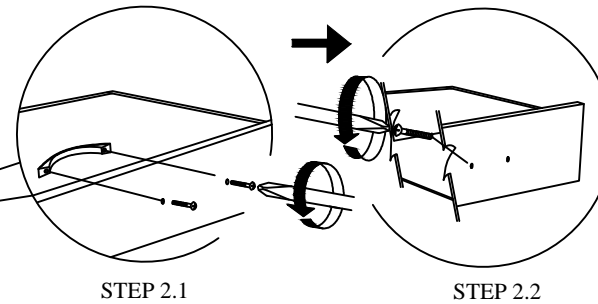


## 2

CHEST



B4620-4  
CHEST



STEP 2.1

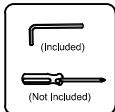
STEP 2.2



X2



00:05



(Included)

(Not included)