



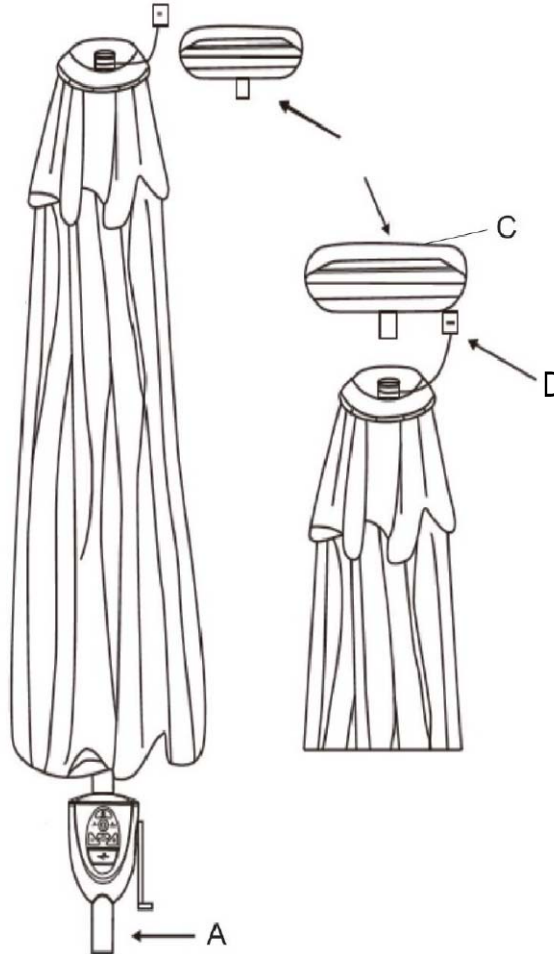
Scan QR code to view assembly video

1

2

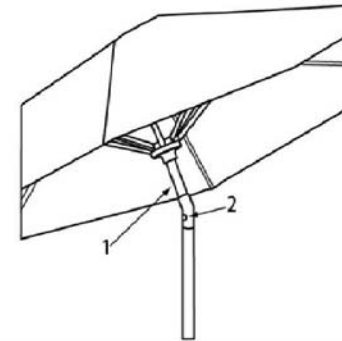
Box 1 - SKU#
 244012 -Beige Umbrella
 244014 -Grey Umbrella
 244016 -Navy Umbrella

Part #	Image	Qty
A TS1180.1-A		1
B TS1180.1-B		1
C TS1180.1-C		1
D TS1180.1-D		1



Adjusting the Umbrella Tilt

- Hold the umbrella pole (1) above the tilt button (2) inward
- With the tilt button pushed inward, move the umbrella to the desired position, then release the button to lock in place



TS1180.1
 OUTDOOR MARKET UMBRELLA
 W/LIGHTS AND BLUETOOTH





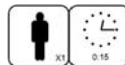
LIVING SPACES

Box2-SKU# 244010

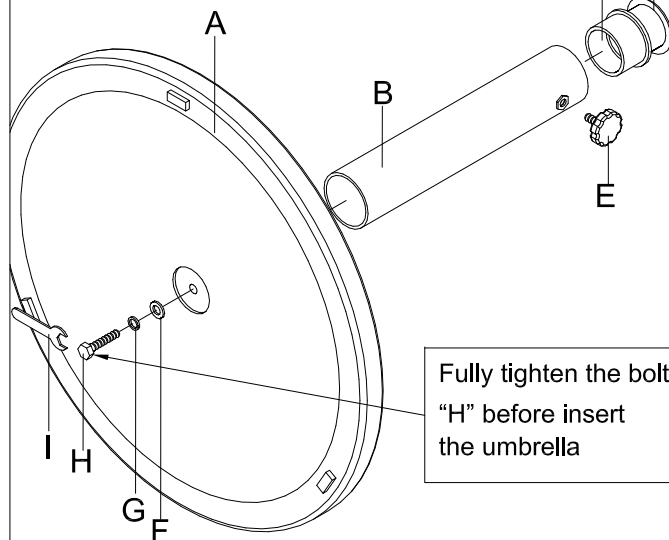
Part #	Image	Qty
A C135-A		1
B C135-B		1
C C135-C		1
D C135-D		1
E C135-E		1
F C135-F		1
G C135-G		1
H C135-H		1
I C135-I		1

C135 / SKU# 244010

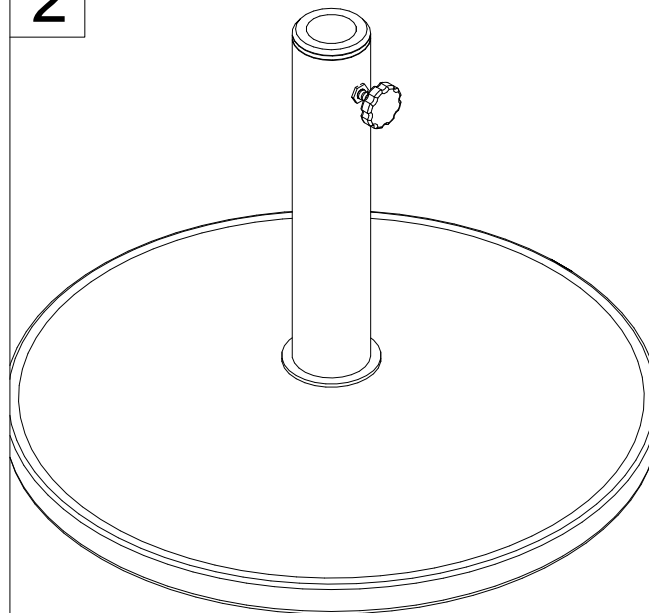
OUTDOOR MARKET UMBRELLA BASE



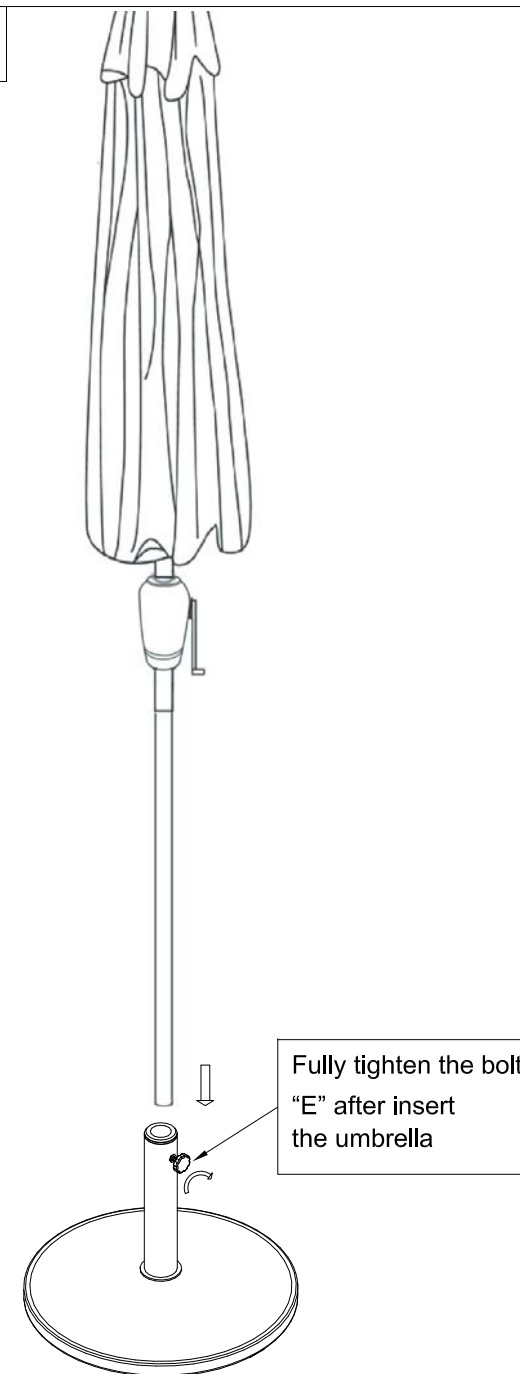
1



2



3



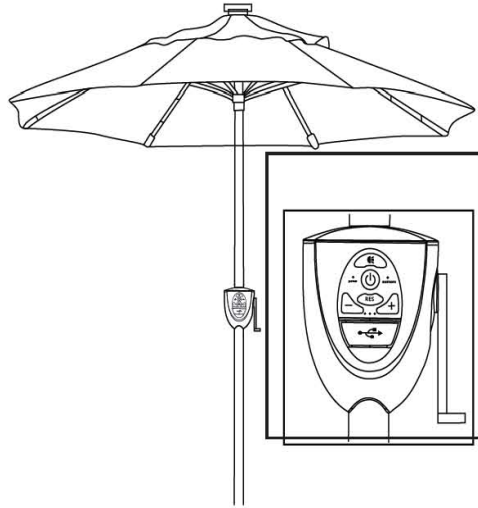
Remarks on Safety Warning:

when the umbrella is not in use, the umbrella should be in closed position.
In case of wind, the umbrella is recommended to close and store inside.

Thank you for your purchase

THANK YOU FOR YOUR PURCHASE!

We are pleased that you have chosen Sears for your outdoor furniture purchase. We hope that you enjoy the unmatched quality, comfort, and style of your new patio set. Every piece is meticulously considered all the way down to the smallest details, exclusively for you, by our world class design team. We know you have a choice when it comes to your patio furniture needs, so from our team to yours, thank you for letting us be a part of your outdoors.



Use and Care Guide

Music Umbrella with Bluetooth and Lights

Date of Purchase: __ / __ / __

Table of Contents

Table of Contents	2
Safety Information	3
Important safety instructions	3
Safety rules for rechargeable batteries	3
FCC statement	4
Warranty	5
What is covered	5
What is not covered	5
Pre-Assembly	6
Assembly Instruction	7
Assembly	7
Battery charging	9
Operation	10
Controls	10
Bluetooth®	11
Care and Maintenance	12
Customer Service	13

Safety Information

IMPORTANT SAFETY INSTRUCTIONS

- Never use the USB cord to pull the plug from the outlet. Keep cord away from heat, oil, sharp edges or moving parts.
- Product must be recharged only with an USB power adapter. A charger that may be suitable for one type of battery may create a risk of fire when used with another battery.
- Use product with supplied 3.2v - 3.7v/4000mAh LiFe battery pack only.
- When servicing a product, use only identical replacement parts. Follow instructions in the Maintenance section of this manual. Use of unauthorized parts or failure to follow Maintenance instructions may create a risk of electrical shock or injury.

SAFETY RULES FOR RECHARGEABLE



Do not dispose of batteries in household waste. Please dispose of used batteries properly. Consult your local telephone listings for a battery recycling center near your area.



Do not throw LiFe batteries into water!



Do not allow LiFe batteries To freeze.



Protect LiFe batteries against heat and fire



Recycle



WARNING: Do not use near fire or other heat source.

CAUTION: Do not attempt to alter the wiring or operate the umbrella without all LEDs in place.

Do not attempt to assemble or use the umbrella in windy conditions. Store the closed umbrella indoors to prevent damage.

Always put the umbrella in the down position when not in use.



Securely fasten the umbrella to an appropriately sized umbrella base (not included). Do not install into the ground. Not intended for permanent installation or use.

Extreme caution must be used when moving this product. For safety, collapse the Umbrella before moving.

Do not immerse in water.



WARNING: Changes or modifications to this unit not expressly approved by the party responsible for compliance could void the user's authority to operate the equipment.

NOTE: This equipment has been tested and found to comply with the limits for a Class B digital device, pursuant to Part 15 of the FCC Rules. These limits are designed to provide reasonable protection against harmful interference in a residential installation. This equipment generates, uses and can radiate radio frequency energy and, if not installed and used in accordance with the Instructions, may cause harmful interference to radio communications. However, there is no guarantee that interference will not occur in a particular installation. If this equipment does cause harmful interference to radio or television reception, which can be determined by turning the equipment off and on, the user is encouraged to try to correct the interference by one or more of the following measures:



- Reorient or relocate the receiving antenna.
- Increase the separation between the equipment and receiver.
- Connect the equipment into an outlet on a circuit different from that to which the receiver is connected.
- Consult the dealer or an experienced radio/TV technician for help. This Class B digital apparatus complies with Canadian ICES-003. Cet appareil numérique de la classe B est conforme à la norme NMB-003 du Canada

Safety information

FCC STATEMENT

This device complies with Part 15 of the FCC Rules. Operation is subject to the following two conditions:

- (1) This device may not cause harmful interference, and
- (2) This device must accept any interference received, including interference that may cause undesired operation

Caution: The user is cautioned that changes or modifications not expressly approved by the party responsible for compliance could void the user's authority to operate the equipment.

Note: This equipment has been tested and found to comply with the limits for a Class B digital device, pursuant to part 15 of the FCC Rules. These limits are designed to provide reasonable protection against harmful interference in a residential installation. This equipment generates, uses and can radiate radio frequency energy and, if not installed and used in accordance with the instructions, may cause harmful interference to radio communications. However, there is no guarantee that interference will not occur in a particular installation. If this equipment does cause harmful interference to radio or television reception, which can be determined by turning

the equipment off and on, the user is encouraged to try to correct the interference by one or more of the following measures:

- Reorient or relocate the receiving antenna.
- Increase the separation between the equipment and receiver.
- Connect the equipment into an outlet on a circuit different from that to which the receiver is connected.
- Consult the dealer or an experienced radio/TV technician for help.

If power exceeds the limit and the distance (Over 20cm distance in actual use between the device and user) is compliant with the requirement

This equipment complies with FCC's RF radiation exposure limits set forth for an uncontrolled environment. The antenna(s) used for this transmitter must be installed and operated to provide a separation distance of at least 20 cm from all persons and must not be collocated or operating in conjunction with any other antenna or transmitter. Installers must ensure that 20cm separation distance will be maintained between the device (excluding its handset) and users.

Warranty

1 (ONE) YEAR WARRANTY.

WHAT IS COVERED

We warrant the frame to be free of manufacturing defects to the original purchaser for 3 years,

WHAT IS NOT COVERED

It remains the customer's responsibility for freight and packaging charges to and from our service center.

This warranty does not cover commercial use, hardware, acts of nature, fire, freezing and abusive use.

This limited warranty does not apply to accessory or consumable items, including batteries, related to this product.

Discoloration or fading of the finish or fabrics as a result of chemicals or spills is not covered.

Corrosion or rusting of hardware are not covered.

In addition, purchase parts are not covered under this warranty.

Warranty (continued)

Proof of purchase (dated register receipt) is required for warranty claims.

We reserve the right to make substitutions with similar merchandise, if the model in question is no longer in production.

For a copy of our full limited warranty, please contact our customer service team below.

Contact the Customer Service Team at 844-836-4055 or email at support@donglinusa.net

Pre-Assembly

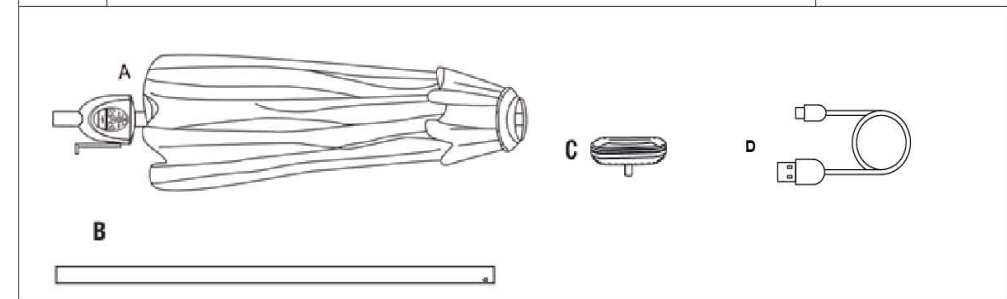
PLANNING ASSEMBLY

To prevent damage, place all parts on a soft surface during assembly:

Do not leave it unattended if not fully assembled even if bolted to the ground.

PART CONTENT

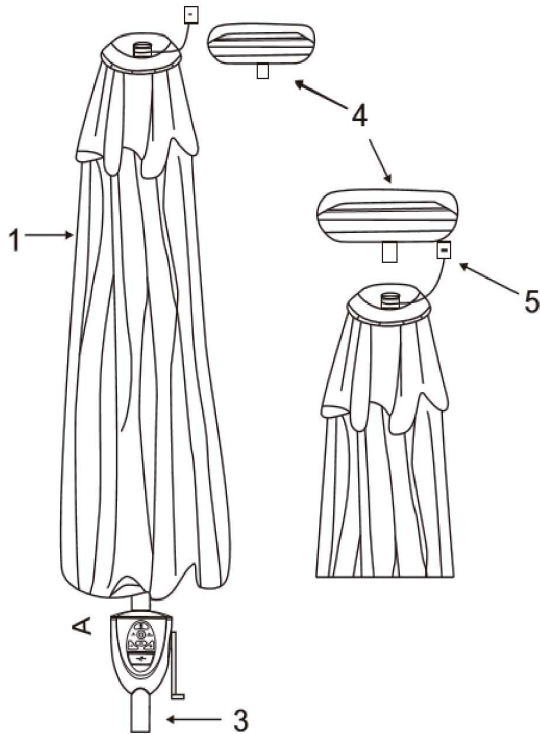
PART	DESCRIPTION	QUANTITY
A	Umbrella Body	1
B	Lower Pole	1
C	Solar Panel	1
D	USB Charging Cable	1



Assembly instructions

1 Assembling the Umbrella

- Take out the bottom tube (2) and the umbrella body(1) from the bag
- Twist the lower umbrella pole (2) into umbrella (3)
- If your model shipped with the solar panel (4) packed separately (not attached to the umbrella), match the electronic connector from the solar panel with the electronic connector located at the top of the umbrella (5). Then insert and twist the solar panel into the top cap to lock.
- Place the umbrella upright in a heavy weighted stand (not included), and table capable of firmly securing the Umbrella.

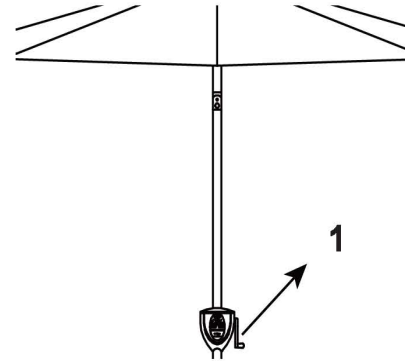


CAUTION: Do not insert the end of the umbrella pole into the ground. The solar umbrella is designed to be used with an umbrella stand (not included).

Assembly instructions

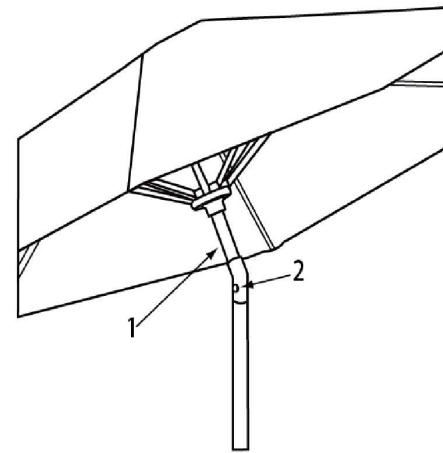
2 Adjusting the Umbrella Up & Down

- Using the crank handle (1), raise the umbrella to desired height. Turn the crank handle (1) clockwise to open the umbrella.



3 Adjusting the Umbrella Tilt

- Hold the umbrella pole (1) above the tilt button, and press the tilt button (2) inward.
- With the tilt button pushed inward, move the umbrella to the desired position, then release the button to lock in place.



Assembly instructions

4 Charging the Battery using the USB Power Adapter

- Connect the micro USB cable to the charging port on the Speaker.
- Connect the USB plug end of the cable to a powered USB port on a computer or other USB charging device (not included) or AC power adapter then to an electrical socket directly. A steady Red light (c) indicates the battery is charging and steady Green light when unit is fully.



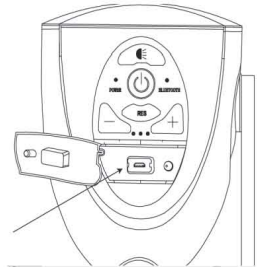
WARNING: Use product with supplied 3.2v - 3.7v / 4000mAh LiFePo battery pack only. Use of any other batteries may create a risk of fire.



Note: For first time use, charge unit for about 8 hours. USB charging device (power adapter) with a rated output of between 1 – 7.5 Watts is recommended. The lower the output the longer it will take to charge battery.



Note: Before operating, the batteries need to be fully charged. The batteries may require up to 8-hours of full sunlight and AC adapter(not included, only provide USB charging cable.)



5 Charging the Battery using the Solar Panel

- Place the fully assembled solar umbrella in full sun where it will receive direct sunlight for at least 8 hours per day



Note: The number of hours of LED light output and sound output is directly proportional to the number of hours of sunlight it receives. The solar panels cannot recharge the batteries if light is obstructed.



Note: Can use about 4 hours for music play and LED lights when fully charged. If out of power, use the solar panel to charge the batteries for about 1 hour then open the LED lights and music.



Operation

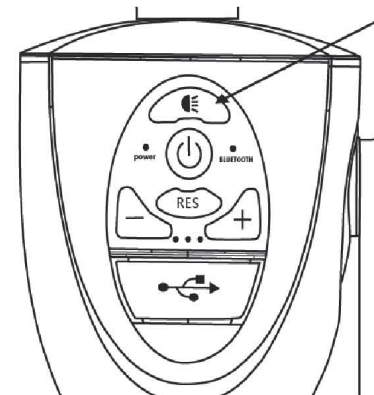
1 Using the Controls

Function of the buttons on the crank housing:

1. LED Lights "On/Off"
2. Power Indicator Light
3. Bluetooth® "On/Off"
4. Volume Down (-) Button
5. Power Port
6. Bluetooth® indicator light
7. Volume Up (+) Button
8. Canopy Crank Handle
9. Battery indicator
10. Reset Button

2 Turning the LED Lights On/Off

- Press the LED lights "On/Off" button (1) to activate the LED's. Lights will toggle On/Off each time the button is pressed.



3 Using the Bluetooth® Audio Speaker

This product is designed to provide high quality wireless sound for your iPad, iPhone, iPod, computer, PDA or other Bluetooth® audio device.

Pairing a Bluetooth® Device with Your Speaker

- Press the Bluetooth® On/Off button (3) to turn on the speaker. The Power indicator light (2) will illuminate. Bluetooth® indicator light (6) will start blinking slowly. You are ready to pair your device. Battery indicator (9) will change colors when charging:

Indicator Color	Battery Charge Status
Red	< 20% charging immediately
Yellow	20% – 60% charge
Green	Above 60% charge

- Go to the Bluetooth® Manager of your Bluetooth® device. Search Bluetooth® devices and select "Music Umbrella" to start connecting.
- Enter "1234" if your device asks for the Password code.
- Once paired, the unit will beep and the Blue LED light will turn on steadily.
- To turn Off the Bluetooth® speaker, press and hold the On/Off button (3) for approximately 5 seconds.

Operation (continued)

4 Using the Bluetooth® Audio Speaker

Connecting a Paired Bluetooth® Device

- You should only need to pair your Bluetooth® device with your speaker one time.
- The next time your Bluetooth® device and the speaker are in range of each other, and the Bluetooth® feature is turned on, they should automatically connect.
- The unit will only automatically connect to the last Bluetooth® device it was connected to.
- If your paired device does not automatically connect, navigate to the Bluetooth® menu on your device and select "Music Umbrella" from the list.
- Press the RST button (10) for 3 seconds to cut off current Bluetooth® connect.



Note: RST can clear original saved data to enhance Bluetooth® connect sensitivity.

6 Using the Bluetooth® Audio Speaker

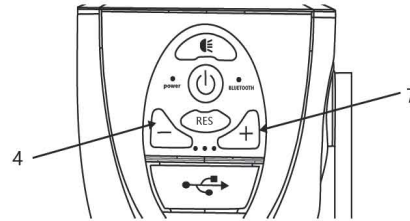
Reconnecting Your Device

- If you move out of range or turn off the Bluetooth® feature on your device, the speaker will disconnect from your device. To reconnect, simply access the Bluetooth® Manager on your device and select "Music Umbrella"

5 Using the Bluetooth® Audio Speaker

Playing Audio from Your Bluetooth® Device

- Once your media device is paired with the speaker, simply start playing music, a movie or game and all the audio will automatically be played through the speaker.
- Press Volume Up + (7) or Down - (4) on to adjust the volume level of the speaker.

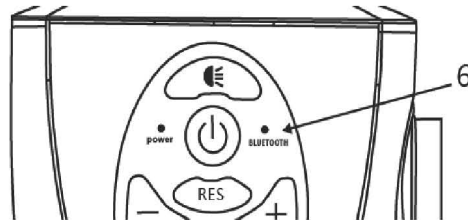


Note: The volume controls on your media device work separately from the volume controls the speaker

7 Using the Bluetooth® Audio Speaker

Out of Range or Lost Signal

- If your device is out of range (beyond 30 ft.) of the speaker or if the Bluetooth® signal is lost, the indicator light (6) will flash slowly to indicate that the Bluetooth® connection has been lost.



Care & Maintenance

1 Cleaning the Solar Panel and LED's

- Gently clean the solar panels and LED's with a soft cloth. Do not use abrasives or chemicals to clean the solar panels.
- Remove dust and debris using a soft cloth or duster.

2 Cleaning the Canopy and Frame

- Rinse the umbrella with clear, clean water . if necessary , use a gentle fabric cleaner, rated safe for polyester fabrics. Clean the umbrella canopy with a soft brush and mild detergent..
- DO NOT machine wash.
- DO NOT iron.
- Air dry the canopy thoroughly in an open position before storing for extended periods of time.
- Make sure the canopy is completely open during the drying process to prevent shrinkage.

3 Replacing the Umbrella Battery



WARNING: Use product with supplied 3.2v - 3.7v / 4000mAh LiFePo battery pack only. Use of any other batteries may create a risk of fire.

- Remove screws (1) securing the battery pack (2) to the crank housing.
- Carefully lift the battery pack from the crank housing compartment.
- Replace with genuine battery pack ONLY.
- Re-assemble in reverse order.
- Refer to "Battery Charging" section.

