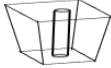


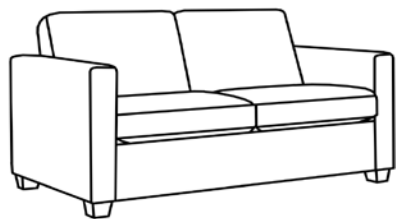
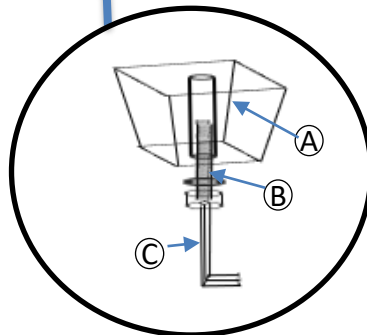
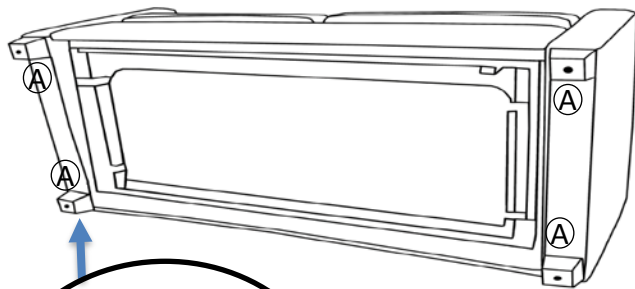




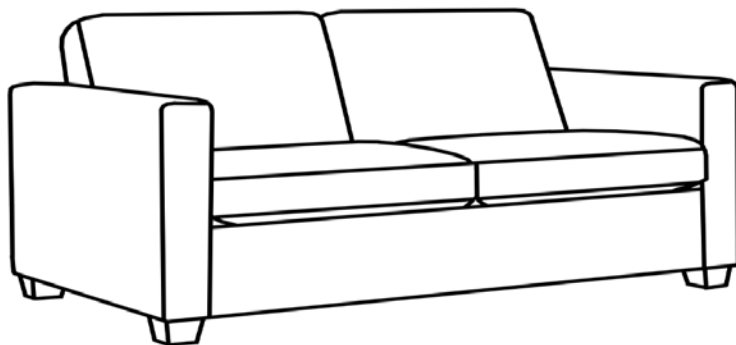
# LIVING SPACES

A	Sofa Legs		X4
B	Bolts		X4
C	Allen key		X1



**CLIFF**

**225834/AS-6077-2.5ST5  
CLIFF QUEEN SLEEPER**



Not provided

## Operation Instructions

1、 Cut the 3 plastic tie on the bottom of sofa bed.



2、 Gently lift the front seat rail and then pull out the mechanism of sofa bed horizontally.



3、 Turn the seat cushion open and flat to back direction, Lay the back cushion flat on head bed. Now you can enjoy it



4、 Close it in the reverse order, push back the mechanism to bottom to get locked.

