



LIVING SPACES

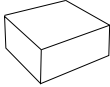
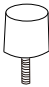

## OUTDOOR KORO OTTOMAN

17C258A-W-O

217170

## Assembly Instruction

### Parts List:

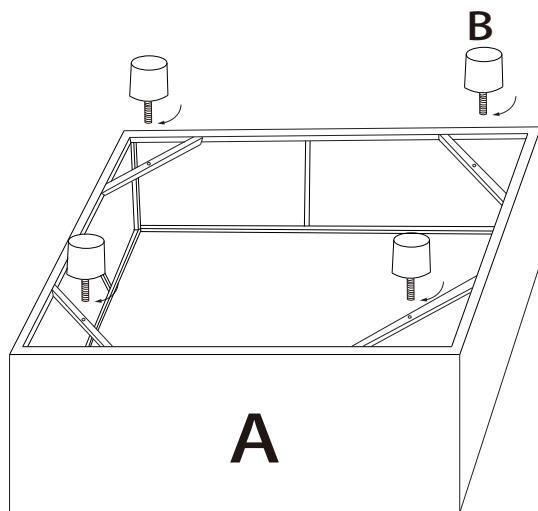
REF	DESCRIPTION	IMAGE	QTY
A	SEAT		1
B	LEG		4
C	CUSHION		1

### Hardware List:

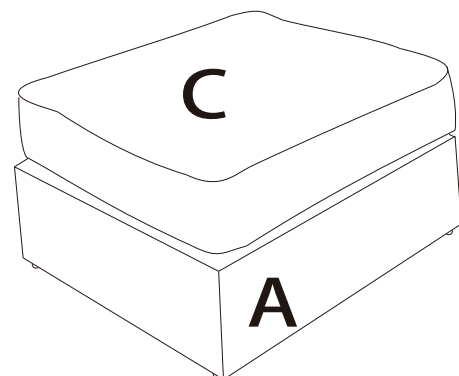
REF	DESCRIPTION	IMAGE	QTY

### Diagram:

#### Step 1



#### Step 2



### Assembly Steps:

Tip- Remove protective wrapping and lay all parts on floor. Identify all parts packed in Carton against attached parts list to make sure all parts are presented.


Step 1: Place a protective soft material on floor. Lay seat (A) upside down on floor, the bottom is facing up. Then attach Leg (B) to the bottom as shown in Diagram.

Step 2: With a second person's assistance carefully turn the chair over onto its legs. Make sure legs rest on a flat surface. Put the seat cushion on the sofa.

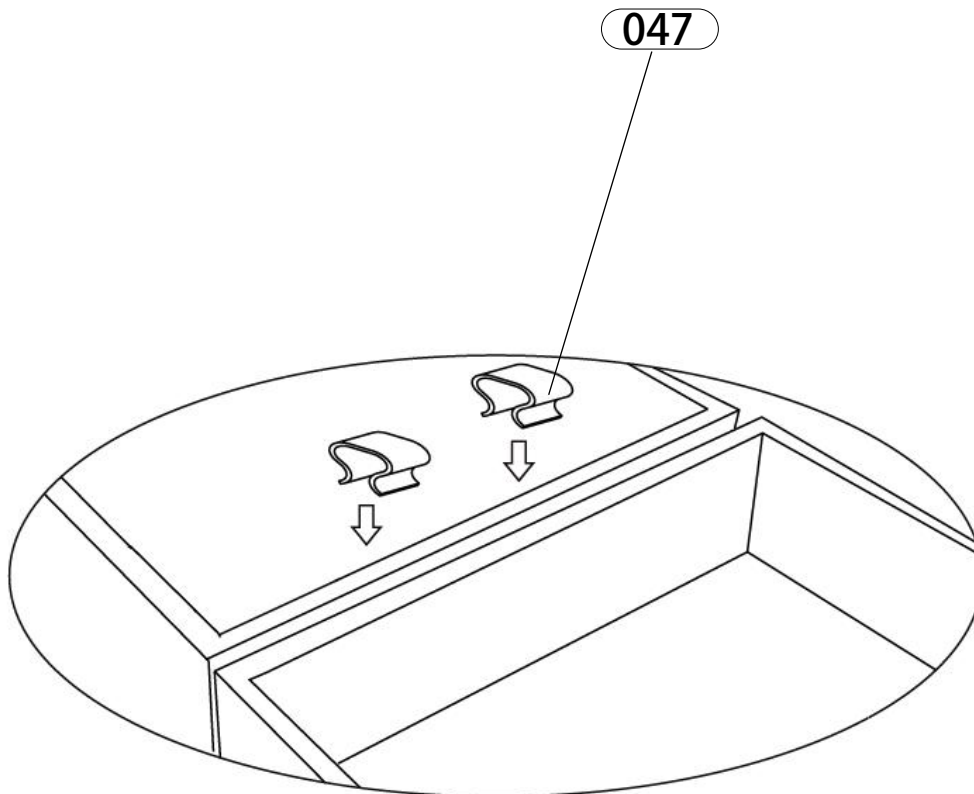
**NOTE: IT IS USER'S RESPONSIBILITY TO MAKE SURE ALL PARTS ARE ASSEMBLED AND TIGHTENED PROPERLY AND SECURELY.**

## Assembly Instruction

### Hardware List:

REF	DESCRIPTION	IMAGE	QTY
047	U-CLIP		2

### Diagram:



### Assembly Steps:

Step 1: Remove protective wrapping and lay all parts on floor.

Step 2: Place a protective soft Material on the floor, it's better to lift the each collection which need to be connected with another person's help.

Step 3: Connect the each collection with u-clips .