


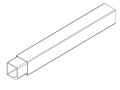
MARTINIQUE COCKTAIL TABLE

16CT067A-1

217152

Assembly Instruction

Parts List:

REF.	DESCRIPTION	IMAGE	Q' TY
A	Table Top		1
B	Table Leg		4

Hardware List:

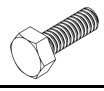
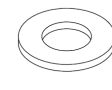
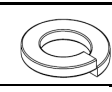

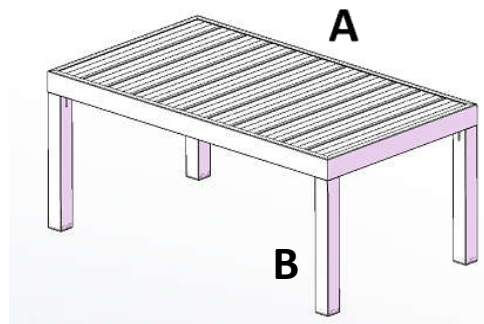
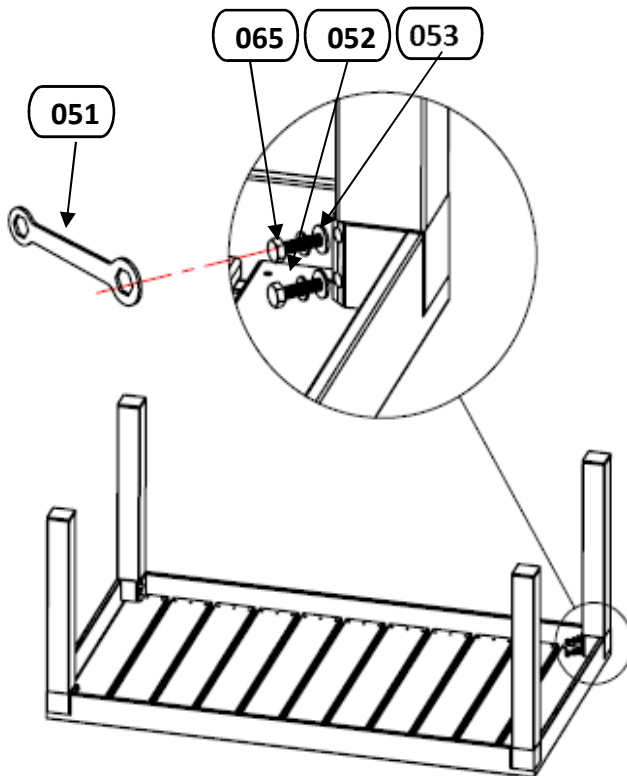
REF.	DESCRIPTION	IMAGE	Q' TY
065	Bolt(1/4"*25MM)		8
053	Washer(1/4")		8
052	Lock Washer(1/4")		8
051	Allen Wrench		1

Diagram:



Assembly Step:

Step1:Pls remove protective wrapping and lay all parts on the floor.Make sure all parts packed in carton against attached parts list are presented.

Step2:Place a protective soft material before laying the table top on floor,assemble the cocktail table as the above diagram.

Step3:After all parts are aligned and tightened properly,pls turn over the cocktail table carefully with a second person's assistance.Make sure the legs are on a flat surface.

|

|

Step3