



MAGNOLIA
HOME

BY JOANNA GAINES

ASSEMBLY INSTRUCTIONS


GROUP NO.35000007 ARCHITECTURAL BR

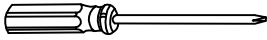
ITEM NO .3570219S DRESSER,11 DRAWER-SALVAGE


Read instruction carefully prior to assembly.

Thank you for purchasing this quality product. Check carefully for small parts which may come loose during shipment. Remove all components from pack and place top down on soft surface such as carpet or cloth to prevent scratching the finish. Identify and count all parts as specified below.

It is recommended to use two or more persons during the assembly process.

PARTS LIST			Qty
No.	Description		Qty
A		Tipping restraint	1Set

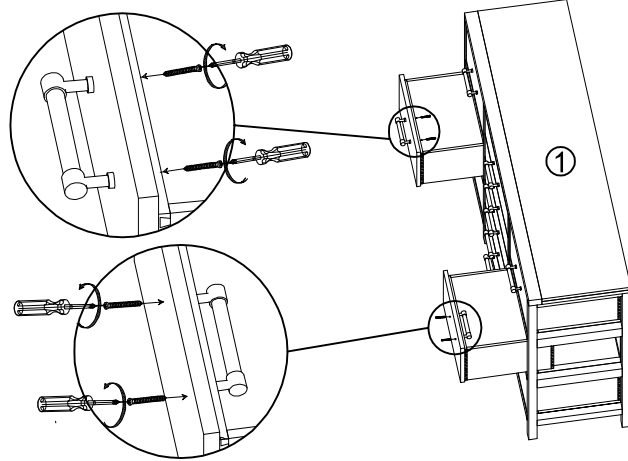
Tool Required Phillips
Screw Driver (Not Provided) 

PARTS LIST			
No.	Description	Sketch	Qty
1	DRESSER		1 Unit

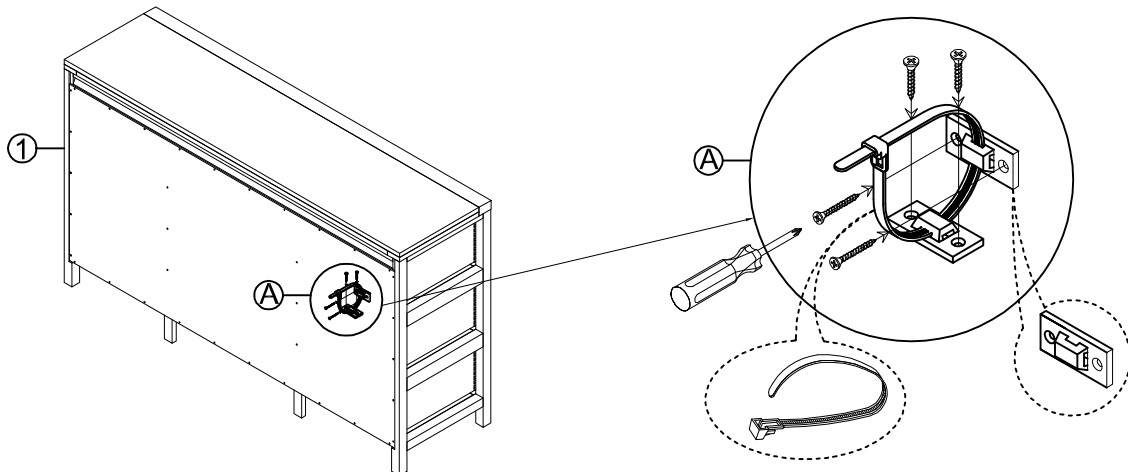
Notice: The furniture tipping restraint is stapled at the back of Dresser



STEP 1 Open each of drawer then turn the handles from inside box to outside by using Screw Driver



STEP 2



The tipping restraint must be attached at back of Dresser, above and on the right or left

Cleaning instructions: clean using soft cloth