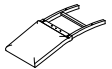
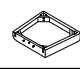
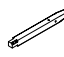



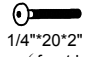
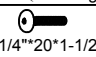
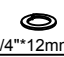


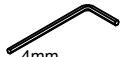
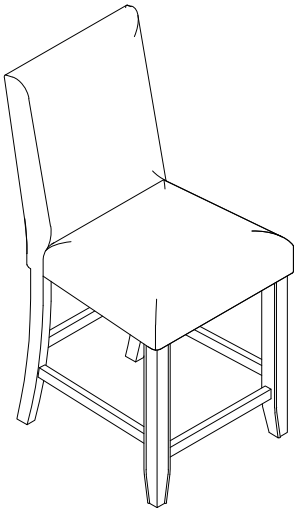




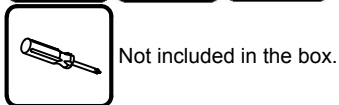
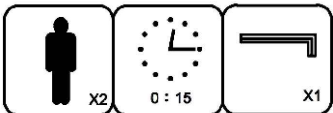
LIVING SPACES

A	2731S-24-A	 ×1
B	2731S-24-B	 ×1
C	2731S-24-C	 ×2
D	2731S-24-D	 ×2
E	2731S-24-E	 ×1
F	2731S-24-F	 ×4 (chair back leg corner)
G	2731S-24-G	 ×4 (front leg)
H	2731S-24-H	 ×1 (chair back center)
I	2731S-24-I	 ×9
J	2731S-24-J	 ×9
K	2731S-24-K	 ×6
L	2731S-24-L	 ×1

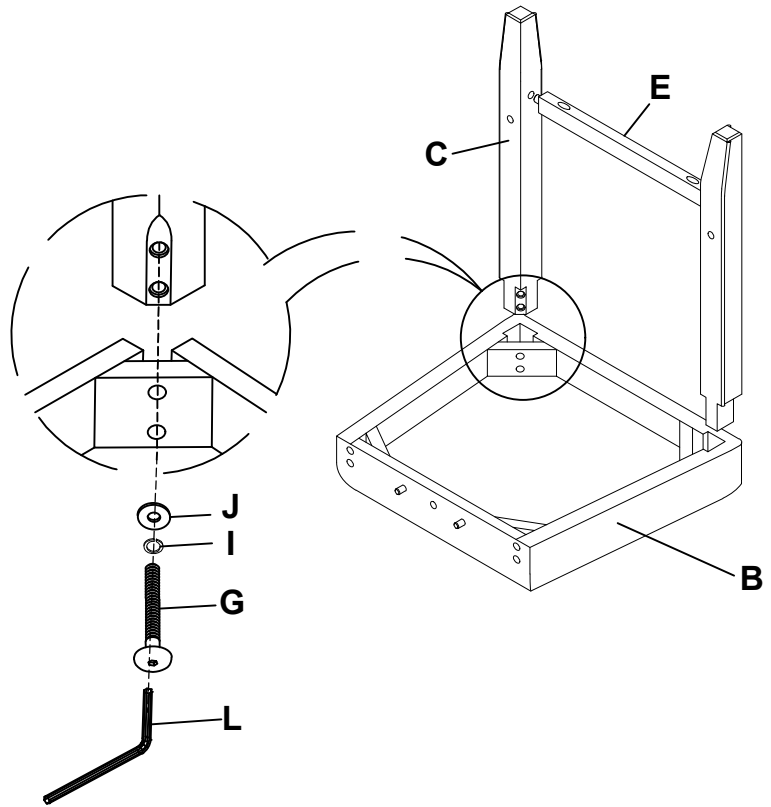
HYLAND COUNTER STOOL



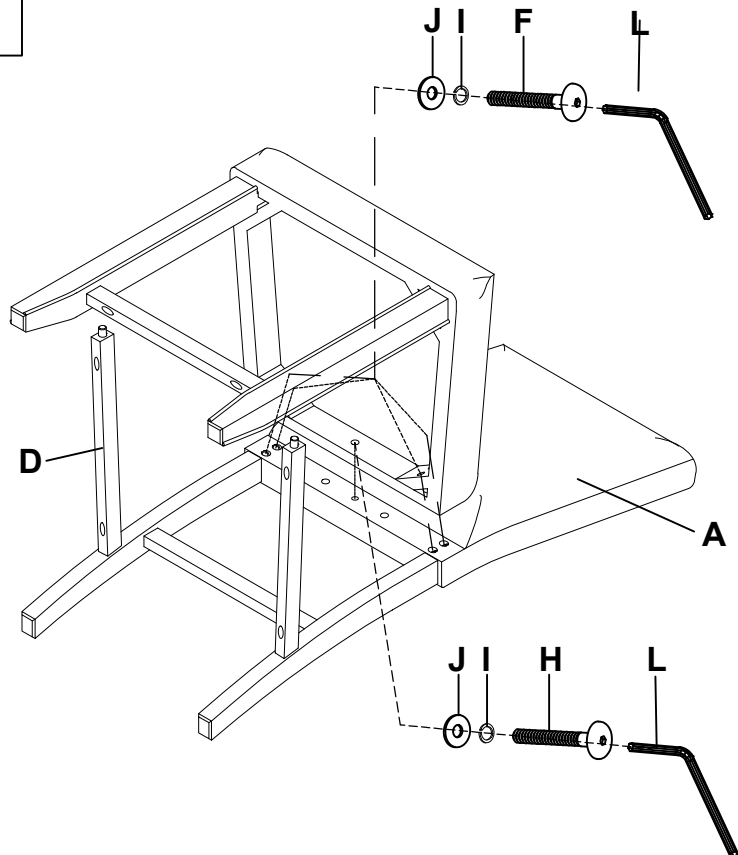
2731S-24 HYLAND COUNTER STOOL



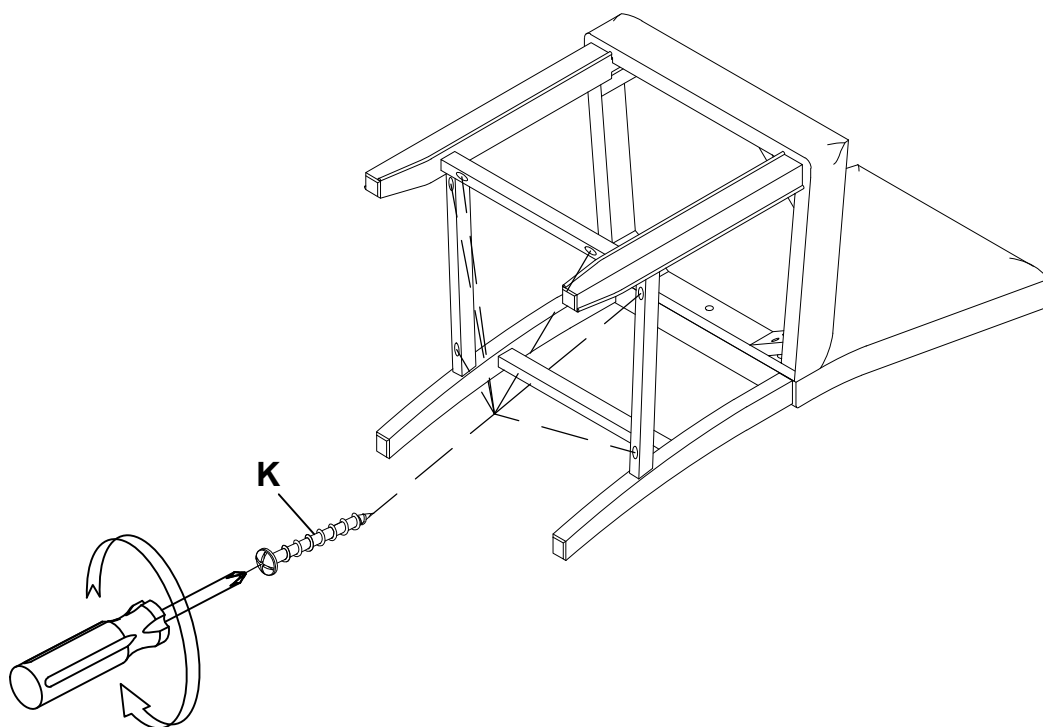
1



2



3



4

