
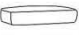
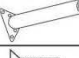
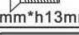



Assembly Instructions

ITEM#U50893/U5089B
ITEM NAME: MERCURY ACCENT CHAIR

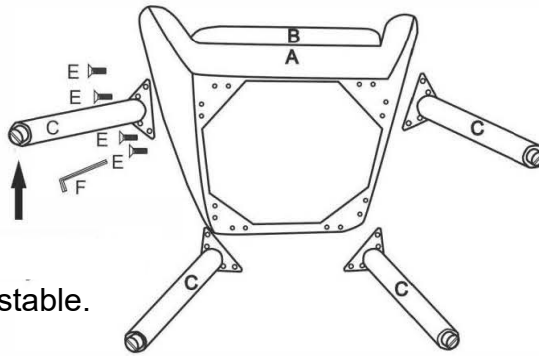
Hardware List

A		Chair	1PC
B		Seat Cushion	1PC
C		Legs	4 PCS
E	 Φ6mm*h13mm	Bolts	16PCS
F	 M4	Allen Key	1PC

STEP1

REMARK:

The leveler is adjustable.



STEP2

