

LIVING SPACES

OWNER'S MANUAL

JAXON GREY ROUND EXTENSION DINING TABLE
 LIVING SPACES SKU : 202268 / 202274 / 202272
 VENDOR ITEM NO. : 7YU661RT / 7YU661RB

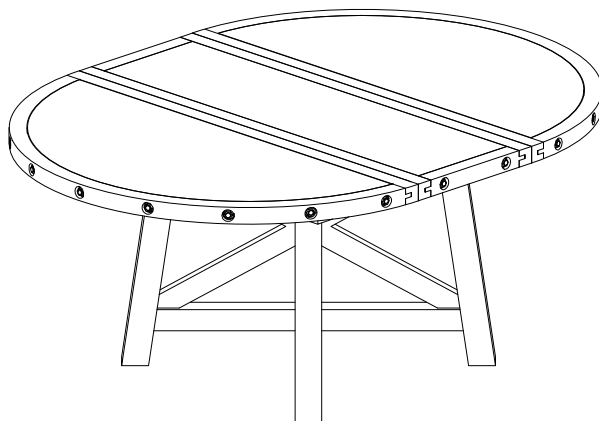


Scan QR code to view assembly video

ASSEMBLY PARTS LIST

BOX 1 (SKU: 202274) Top / Extension Leaf				HARDWARE KIT PACKED IN BOX 2 SKU : 7YZZ61RHW			
SKU #	IMAGE	DESCRIPTION	QUANTITY	SKU #	IMAGE	DESCRIPTION	QUANTITY
202274-1		TABLE TOP	1	7YZZ61RHW-1		ALLEN BOLT (8x50mm)	1
7YU661RE		EXTENSION LEAF	1	7YZZ61RHW-2		FLAT WASHER (M8)	9
BOX 2 (SKU: 202272) Base				7YZZ61RHW-3		LOCK WASHER (M8)	9
				7YZZ61RHW-4		HEX NUT (M8)	8
				SKU #	IMAGE	DESCRIPTION	QUANTITY
7YU661RLA		LEG FRAME A	1	7YZZ61RHW-6		WOOD SCREW (3x20mm)	8
7YU661RLB		LEG FRAME B	1	7YZZ61RHW-7		ALLEN KEY	1
7YU661RCB		CROSS BAR (Comes temporarily attached to Leg Frame B)	1	7YZZ61LL		LOCKING LATCH	2

FULLY ASSEMBLED



PRE-ASSEMBLED PARTS LIST

SKU #	IMAGE	DESCRIPTION	SKU #	IMAGE	DESCRIPTION
7YZZCPFC28		FOOT CAP	7YZZBPBT		LARGE DECORATIVE NUT & BOLT

LIVING SPACES

OWNER'S MANUAL

JAXON GREY ROUND EXTENSION DINING TABLE

LIVING SPACES SKU : 202268 / 202274 / 202272

VENDOR ITEM NO. : 7YU661RT / 7YU661RB

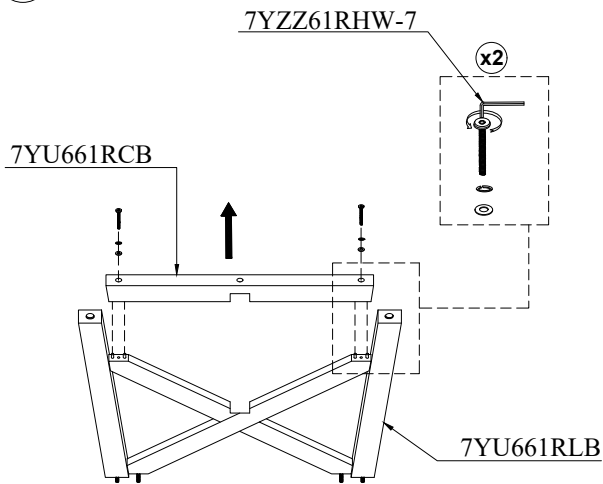


Scan QR code to view assembly video

ASSEMBLY INSTRUCTIONS

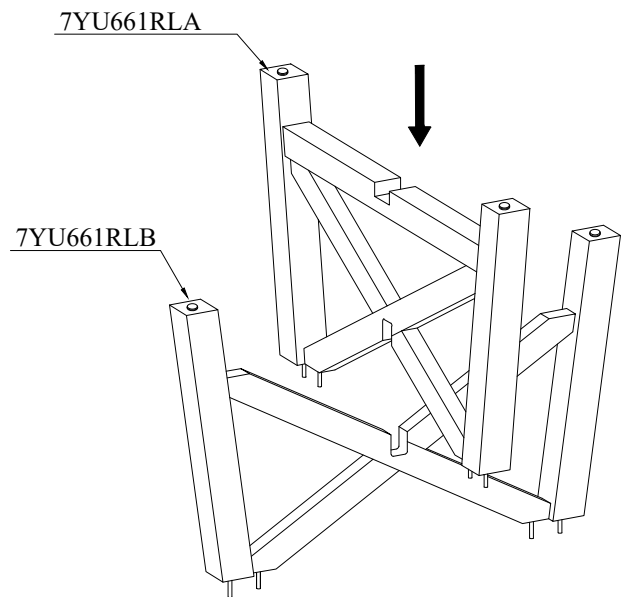


1

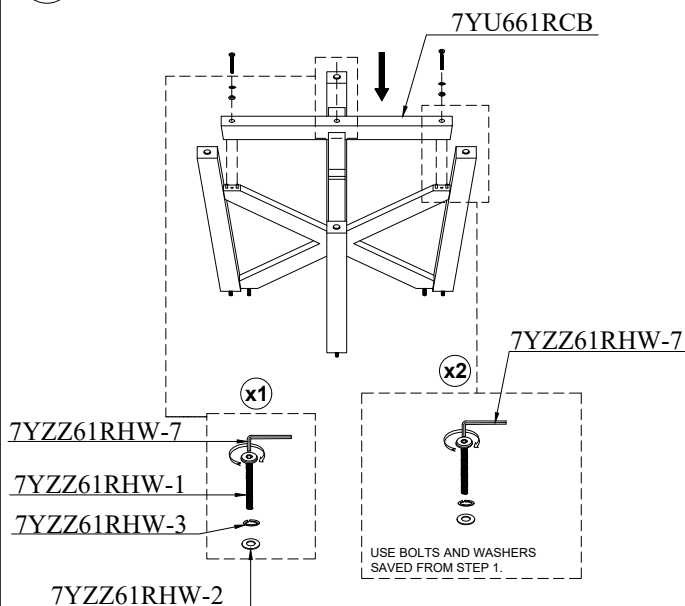


NOTE:
SAVE BOLTS AND WASHERS REMOVED FROM THE CROSS
BAR FOR LATER USE IN THE ASSEMBLY STEPS.

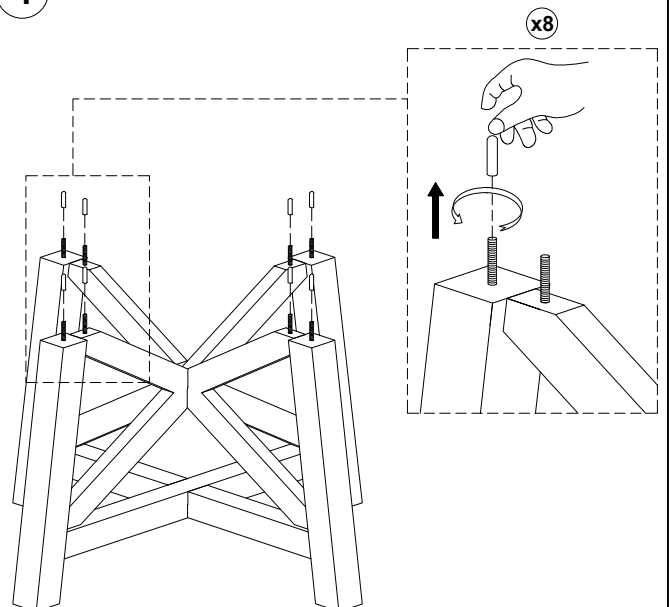
2



3



4



LIVING SPACES

OWNER'S MANUAL

JAXON GREY ROUND EXTENSION DINING TABLE

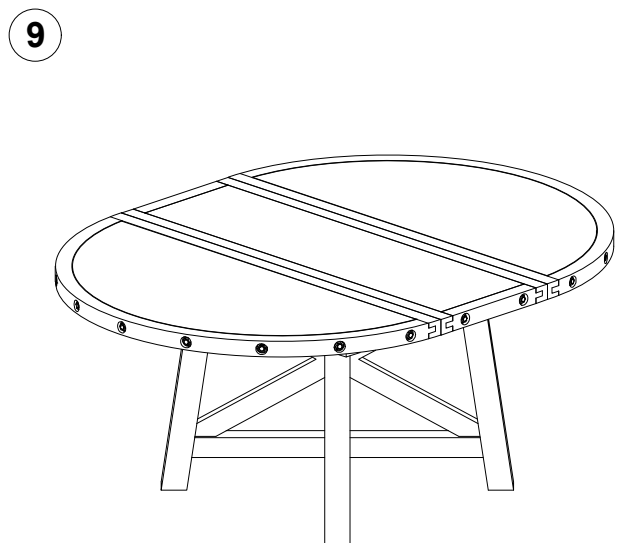
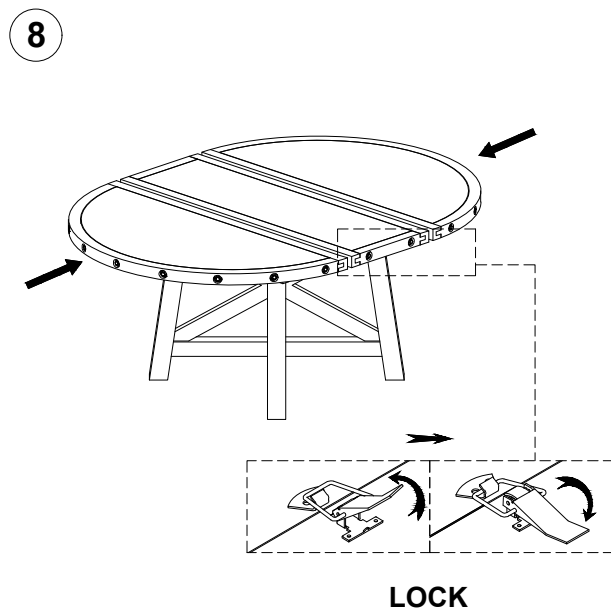
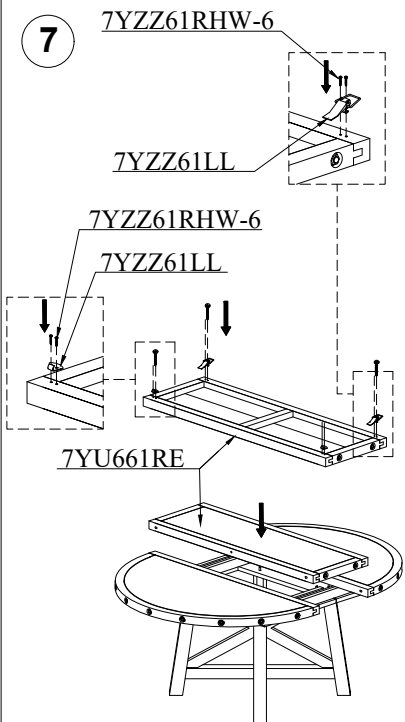
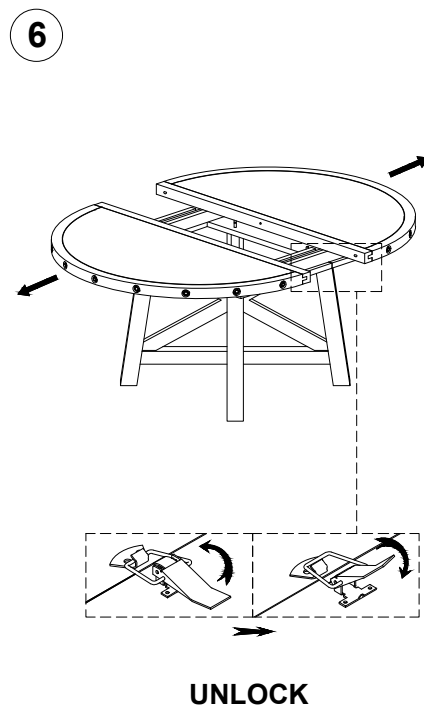
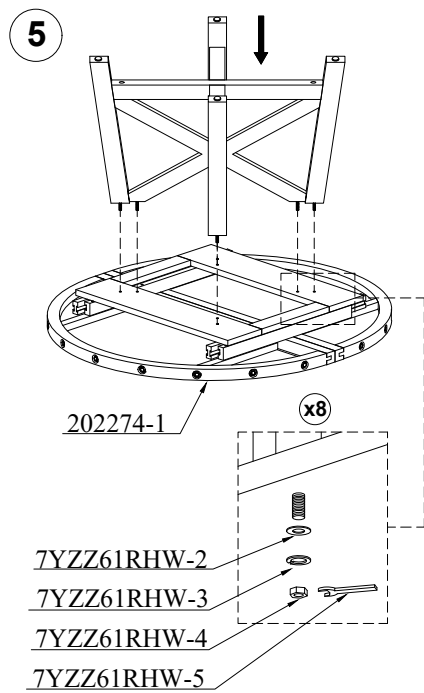
LIVING SPACES SKU : 202268 / 202274 / 202272

VENDOR ITEM NO. : 7YU661RT / 7YU661RB



Scan QR code to view assembly video

ASSEMBLY INSTRUCTIONS



ASSEMBLY COMPLETE

LIVING SPACES

OWNER'S MANUAL

*JAXON GREY ROUND EXTENSION DINING TABLE
LIVING SPACES SKU : 202268 / 202274 / 202272
VENDOR ITEM NO. : 7YU661RT / 7YU661RB*



Scan QR code to view assembly video



WARNING:

- Maximum distributed load capacity: 400 lbs.
- Sitting, standing or jumping on this product may result in damage or injury.

ROUTINE MAINTENANCE:

Periodically check all fittings and tighten if necessary, as they can loosen over time.

CARE AND CLEANING: SOLID WOOD FURNITURE

Congratulations on purchasing this handcrafted solid wood furniture product. Please keep in mind that wood is sensitive to changes in humidity. As the weather changes so does the relative humidity in your home and the moisture content of your solid wood furniture. We have taken every precaution to stabilize the lumber used to build this product. Still, you may observe plank movement or small cracks as the seasons change, particularly during the first 6-12 months of ownership. This is normal for solid wood furniture and will not affect the performance or longevity of this product.

Dust frequently with a clean, damp, lint-free cloth. Frequent dusting will remove abrasive build-up which can damage a finish over time. Avoid using oily polishes or waxes. Avoid exposing your furniture to strong sunlight. Prolonged exposure to direct sunlight can fade the finish of your furniture. Do not expose your furniture to any liquids. Never allow water to sit on your furniture. Do not place hot items on top of surface, always use a mat or other protector. Alcohol, nail polish and perfume are also dangerous, as they can dissolve the furniture finish on contact and may require professional repairs