

LIVING SPACES

OWNER'S MANUAL

JAXON GREY RECTANGULAR EXTENSION DINING TABLE
 LIVING SPACES SKU : 202263
 VENDOR ITEM NO. : 7YU661



Scan QR code to view assembly video

ASSEMBLY PARTS LIST

| SKU # | IMAGE | DESCRIPTION | QUANTITY | HARDWARE KIT PACKED IN BOX | | | |
|-------------------------|-------|------------------|----------|----------------------------|-------|----------------------------------|----------|
| | | | | SKU # | IMAGE | DESCRIPTION | QUANTITY |
| 202263-1 | | TABLE TOP | 1 | 7YZZ61HW-1 | | HEX BOLT (M8 X 50MM) | 12 |
| 7YU661E | | EXTENSION LEAF | 1 | 7YZZ61HW-2 | | HEX BOLT (M8 X 60MM) | 6 |
| 7YU661LGL | | LEFT LEG | 1 | 7YZZ61HW-3 | | ALL THREAD BOLT (M8X45MM) | 1 |
| 7YU661LGR | | RIGHT LEG | 1 | 7YZZ61HW-4 | | FLAT WASHER (M9 - gold color) | 16 |
| 7YU661CPXB | | BOTTOM STRETCHER | 1 | 7YZZ61HW-5 | | LOCK WASHER (M9) | 16 |
| 7YU661RL | | LEFT CROSS BAR | 1 | 7YZZ61HW-6 | | HEX NUT (M8) | 2 |
| 7YU661RR | | RIGHT CROSS BAR | 1 | 7YZZ61HW-7 | | HALF MOON WASHER (27 X 14MM-Ø10) | 2 |
| FULLY ASSEMBLED | | | | 7YZZ61HW-8 | | SPANNER | 1 |
| | | | | 7YZZ61HW-9 | | M8 SOCKET WRENCH | 1 |
| | | | | 7YZZ61HW-10 | | FLAT WASHER (M9 - black color) | 2 |
| | | | | | | | |

PRE-ASSEMBLED PARTS LIST

| SKU # | IMAGE | DESCRIPTION | SKU # | IMAGE | DESCRIPTION |
|------------|-------|---------------|-----------|-------|-----------------------|
| 7YZZCPFC28 | | FOOT CAP | 7YZZCPBTS | | SMALL DECORATIVE BOLT |
| 7YZZ61LL | | LOCKING LATCH | 7YZZBPBT | | LARGE DECORATIVE BOLT |

LIVING SPACES

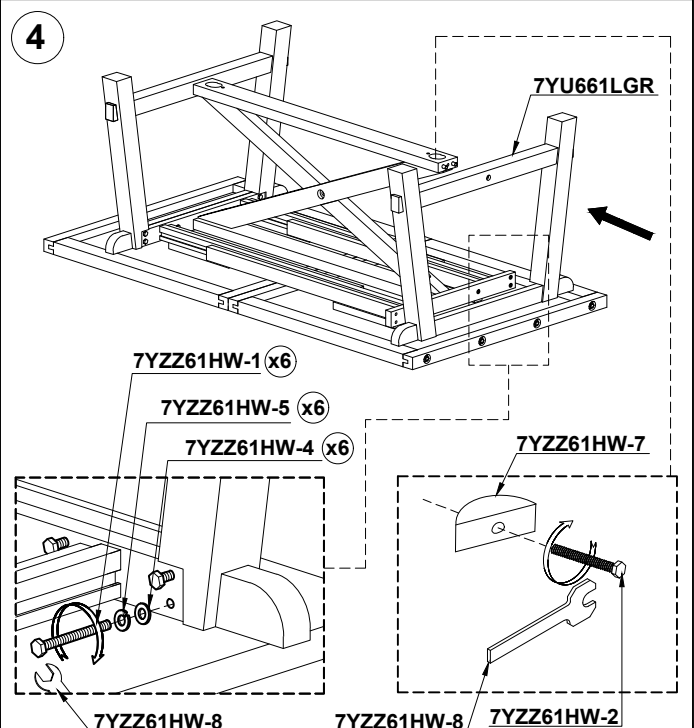
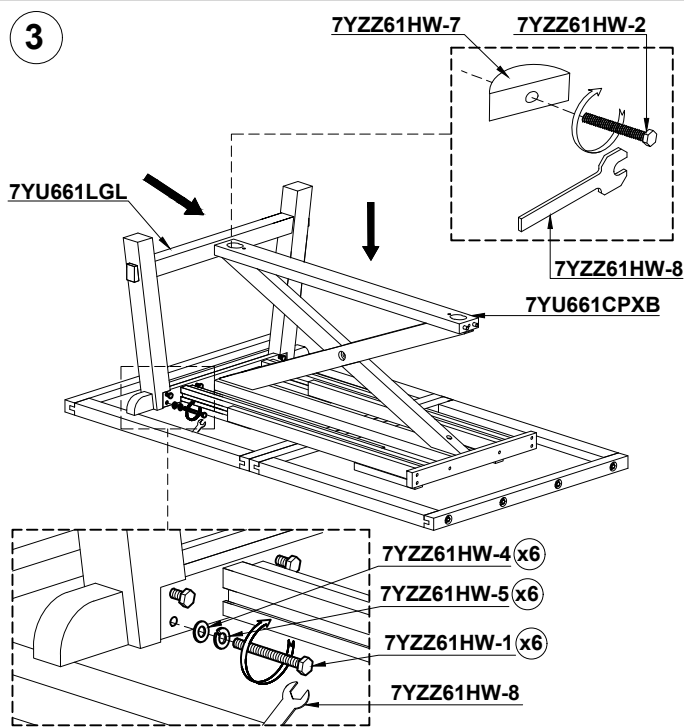
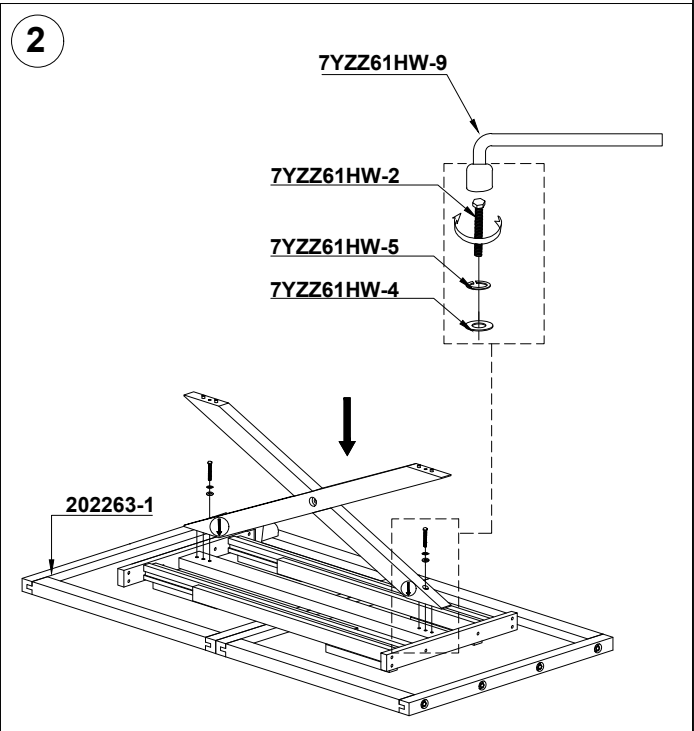
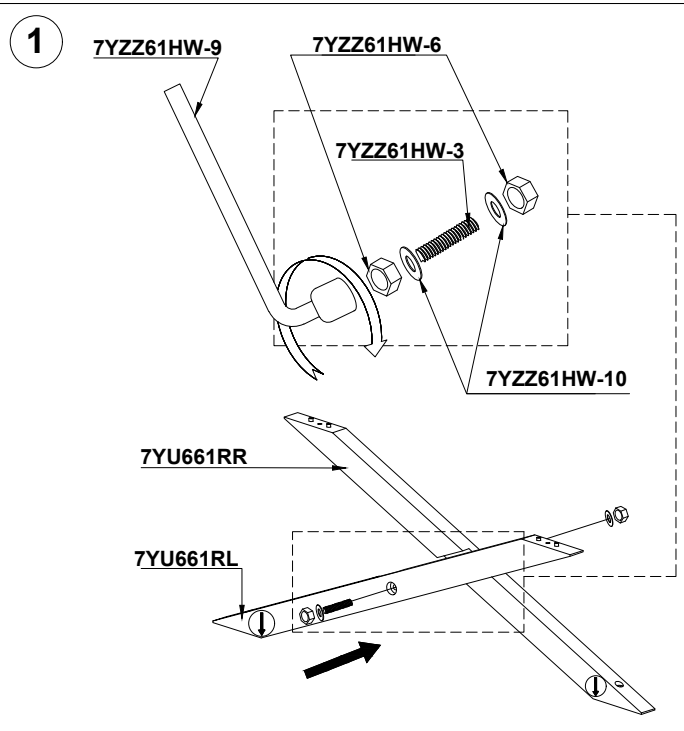
OWNER'S MANUAL

JAXON GREY RECTANGULAR EXTENSION DINING TABLE
LIVING SPACES SKU : 202263
VENDOR ITEM NO. : 7YU661



Scan QR code to view assembly video

ASSEMBLY INSTRUCTIONS



LIVING SPACES

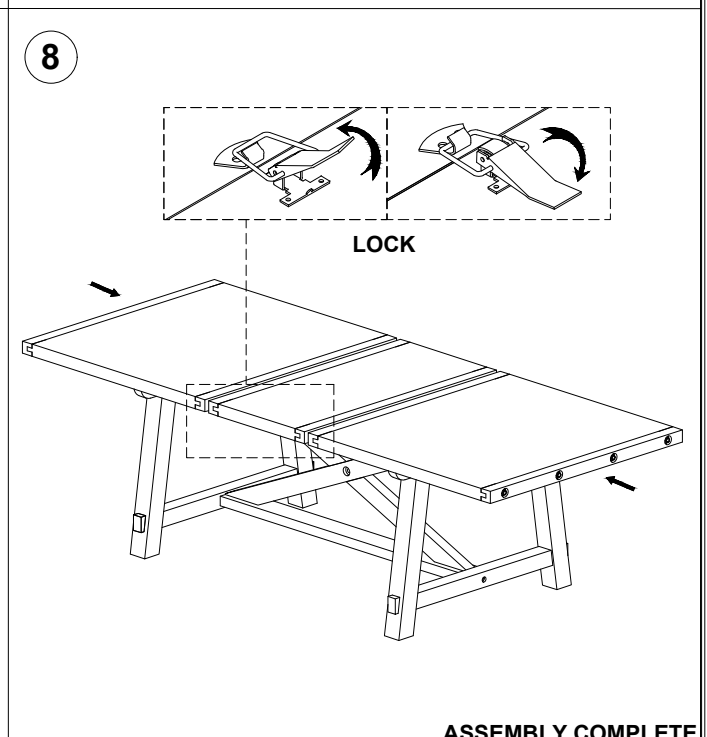
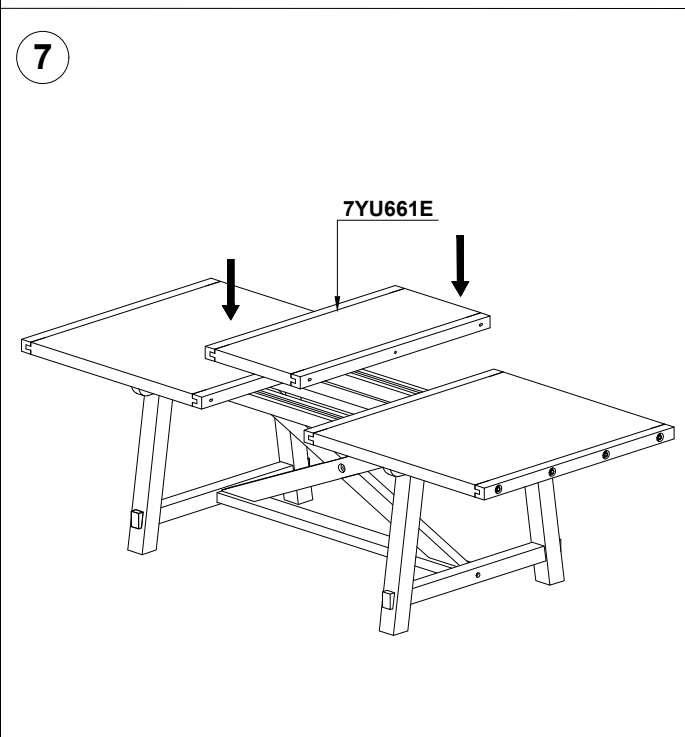
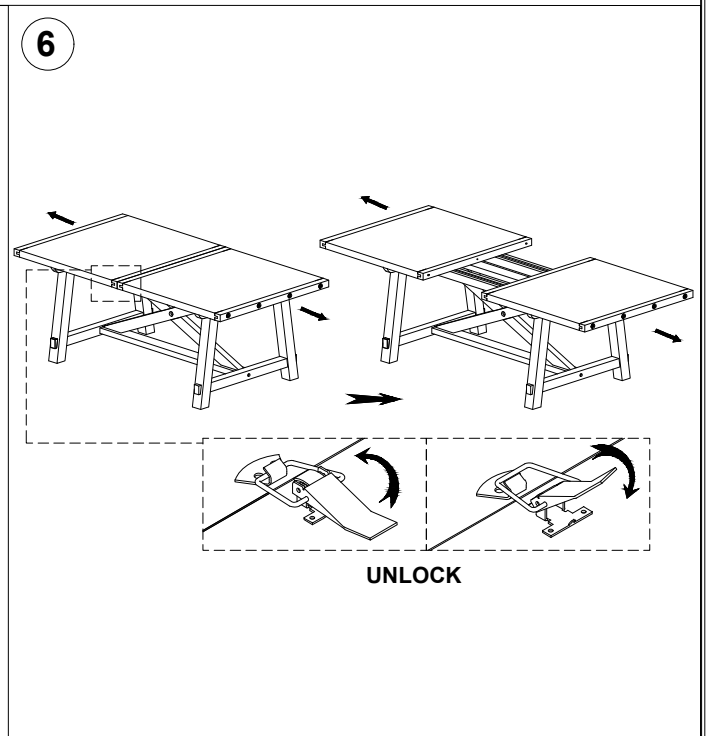
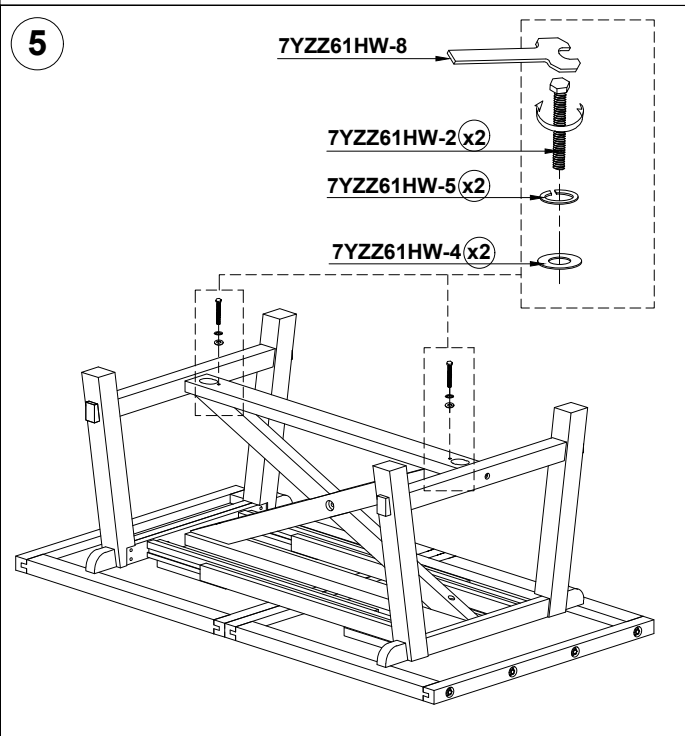
OWNER'S MANUAL

JAXON GREY RECTANGULAR EXTENSION DINING TABLE
LIVING SPACES SKU : 202263
VENDOR ITEM NO. : 7YU661



Scan QR code to view assembly video

ASSEMBLY INSTRUCTIONS



ASSEMBLY COMPLETE

LIVING SPACES

OWNER'S MANUAL

JAXON GREY RECTANGULAR EXTENSION DINING TABLE
LIVING SPACES SKU : 202263
VENDOR ITEM NO. : 7YU661



Scan QR code to view assembly video



WARNING:

- Maximum distributed load capacity: 400 lbs.
- Sitting, standing or jumping on this product may result in damage or injury.

ROUTINE MAINTENANCE:

Periodically check all fittings and tighten if necessary, as they can loosen over time.

CARE AND CLEANING: SOLID WOOD FURNITURE

Congratulations on purchasing this handcrafted solid wood furniture product. Please keep in mind that wood is sensitive to changes in humidity. As the weather changes so does the relative humidity in your home and the moisture content of your solid wood furniture. We have taken every precaution to stabilize the lumber used to build this product. Still, you may observe plank movement or small cracks as the seasons change, particularly during the first 6-12 months of ownership. This is normal for solid wood furniture and will not affect the performance or longevity of this product.

Dust frequently with a clean, damp, lint-free cloth. Frequent dusting will remove abrasive build-up which can damage a finish over time. Avoid using oily polishes or waxes. Avoid exposing your furniture to strong sunlight. Prolonged exposure to direct sunlight can fade the finish of your furniture. Do not expose your furniture to any liquids. Never allow water to sit on your furniture. Do not place hot items on top of surface, always use a mat or other protector. Alcohol, nail polish and perfume are also dangerous, as they can dissolve the furniture finish on contact and may require professional repairs.