



LIVING SPACES

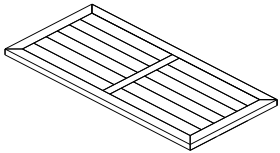
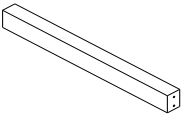
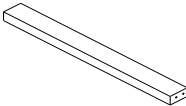
ASSEMBLY INSTRUCTIONS

Caden Dining Table 84" TOP/BASE

ITEM No.: 51030489T/ 51030489B - TOP/BASE



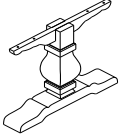
(BOX 1)
Box of Table Top / Leaf/ Top Support/ Stretcher

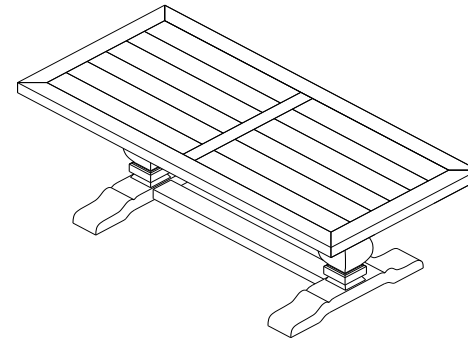
SKU#	IMAGE	DESCRIPTION	QUANTITY
51030489T		Table Top	1
		Top Support	1
		Stretcher	1

(BOX 1)
Table Top / Leaf/ Top Support/ Stretcher Hardware List

SKU#	IMAGE	DESCRIPTION	QUANTITY
Z1 Z3 Z4		Bolt: Ø 8 x 70mm Spring Washer: Ø 8 x 12 x 2mm Washer: Ø 8 x 19 x 2mm	12
Z2 Z3 Z4		Bolt: Ø 8 x 100mm Spring Washer: Ø 8 x 12 x 2mm Washer: Ø 8 x 19 x 2mm	4
Z5		Open Wrench Ø13	1
Z6		Adjustable Bolt	4

(BOX 2)
Box of Table Legs

SKU#	IMAGE	DESCRIPTION	QUANTITY
51030489B		Leg	2



COMPLETED DINING TABLE
ASSEMBLY



LIVING SPACES

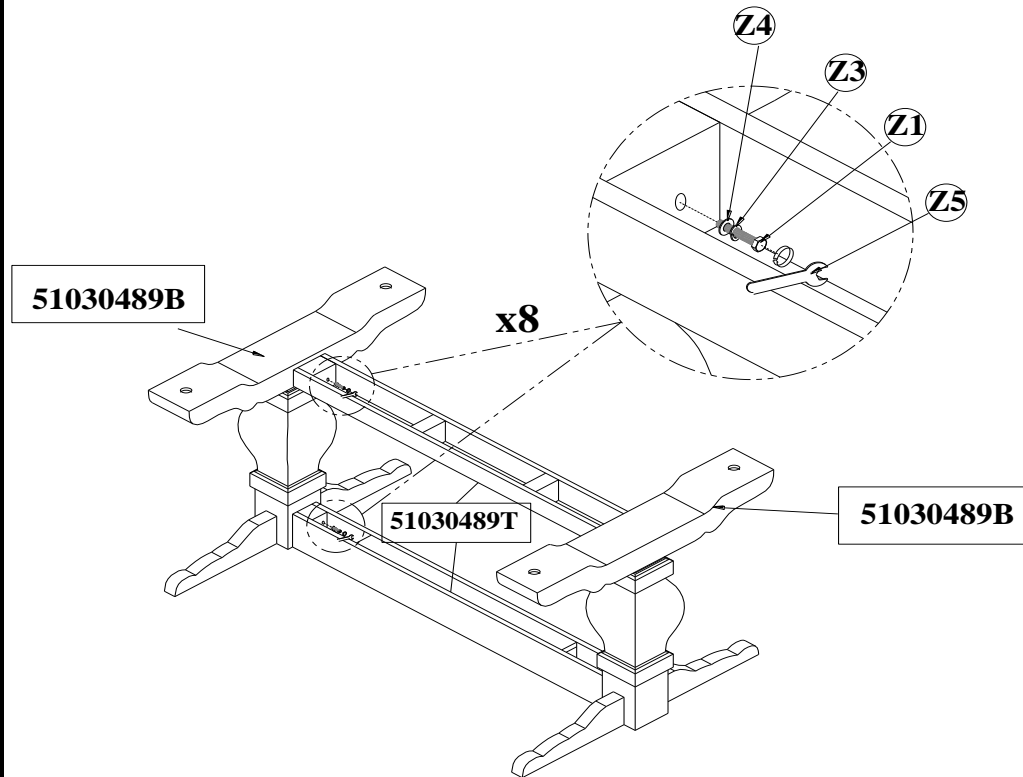
ASSEMBLY INSTRUCTIONS

Caden Dining Table 84" TOP/BASE

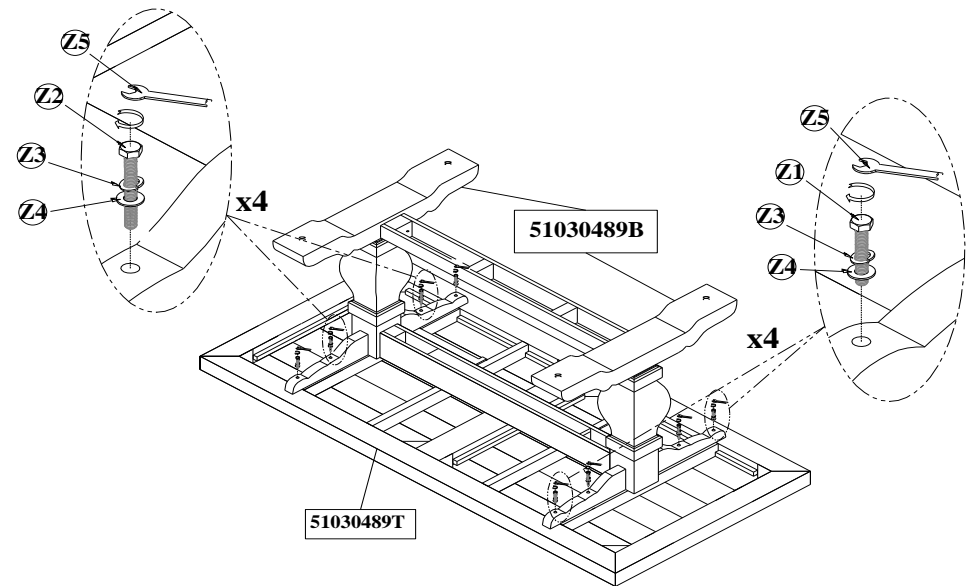
ITEM No.: 51030489T/ 51030489B - TOP/BASE



STEP 1



STEP 2





LIVING SPACES

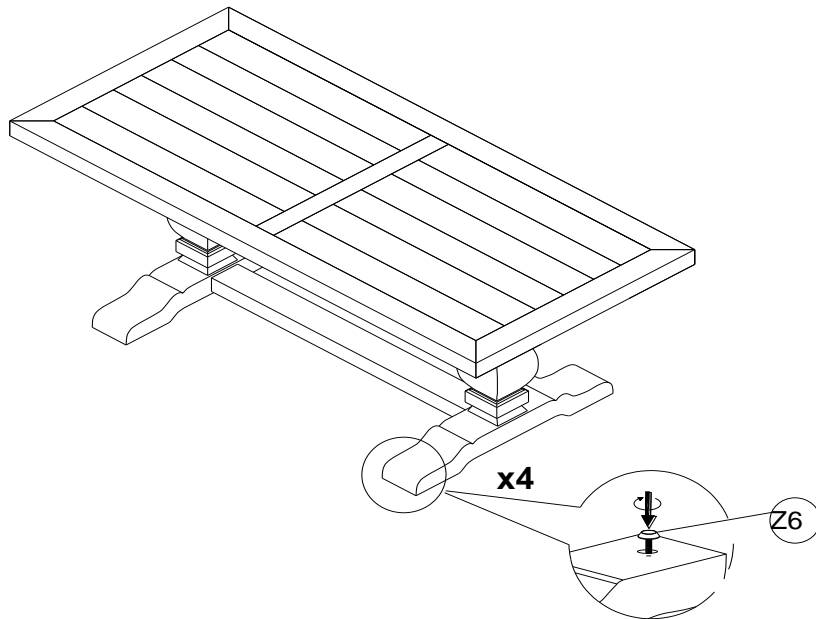
ASSEMBLY INSTRUCTIONS

Caden Dining Table 84" TOP/BASE

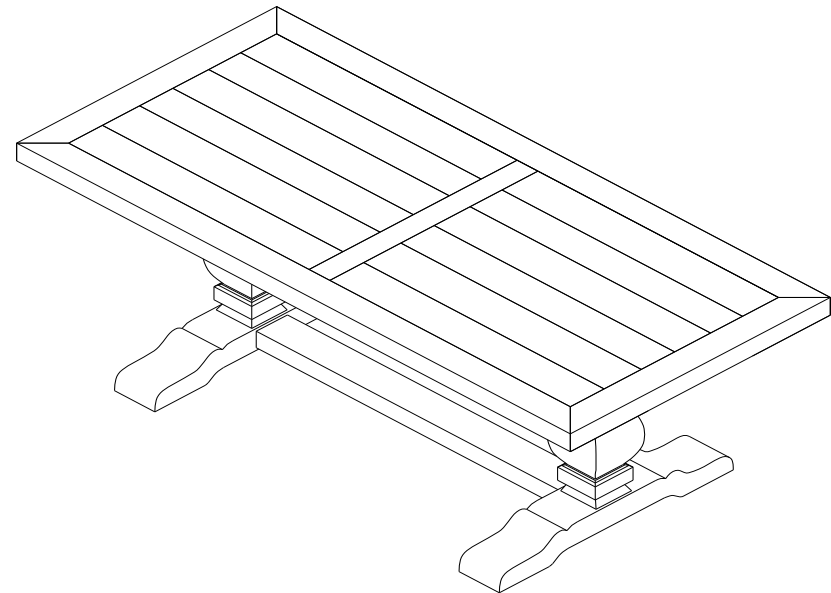
ITEM No.: 51030489T/ 51030489B - TOP/BASE



STEP 3



STEP 4



THE HARDWARE IS LOCATED IN THE PACKING ITEMS

NOTE: MUST TIGHTEN SCREWS PERIODICALLY. WITH USE SCREW MAY BE COME LOOSE CHECK TIGHTNESS OF ALL SCREWS EVERY 6-8 WEEKS.

CLEANING INSTRUCTIONS

After assembly, clean & polish the completed parts if necessary with soft cloth and industrial recognized furniture polish.