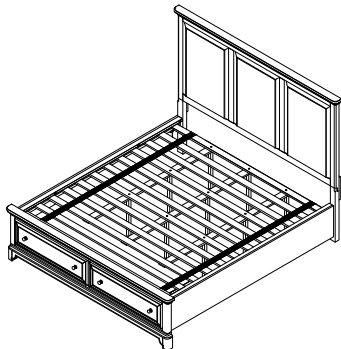




A	PB3341-74HD2-A	X8 Ø5/16"x4-1/2"L
B	PB3341-74HD2-B	X8 Ø5/16"x34x16x3mm
C	PB3341-74HD2-C	X8 Ø5/16"x17mm
D	PB3341-74HD2-D	X1 Wrench 12mm
E	PB3341-64HD1-E	X32 Ø5/16"x18x1.5mm
F	PB3341-64HD1-F	X32 Ø5/16"x13x1mm
G	PB3341-64HD1-G	X20 Ø5/16"x1-1/2"L
H	PB3341-64HD1-H	X12 Ø5/16"x1-3/8"L
I	PB3341-64HD1-I	X1 Allen key 4mm
J	PB3341-65HD3-J	X27 #4x25mm
1	PB3341-64HB	X1
2L	PB3341-64HL1	X1
2R	PB3341-64HL2	X1
3	PB3341-64MP	X2
4	PB3341-64SR	X1
5	P99-00KRS-SFB-FC	x1 Included 12pcs (1952mm)
6	P99-00KBS-SFB-FC	x3 1626x70x18mm
7	PB3341-65FB	X1
8	PB3341-74R	X2
9	PB3341-74CL	X2
10	PB3341-74SS	X9 434x28x28mm

KINCAID



106411/B3341-64H King Panel Bed Headboard  
 106413/B3341-65F King Panel Bed Storage FB  
 106415/B3341-74R Cal. King Panel Bed Rails

