

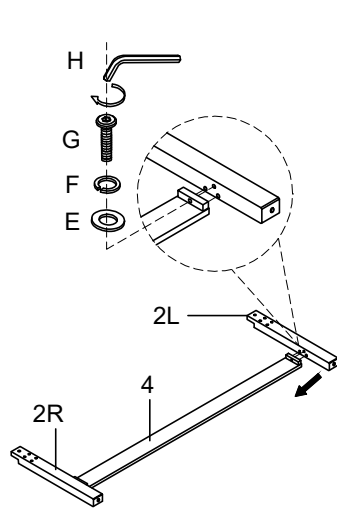


**BOX OF HEADBOARD (BOX 1)**

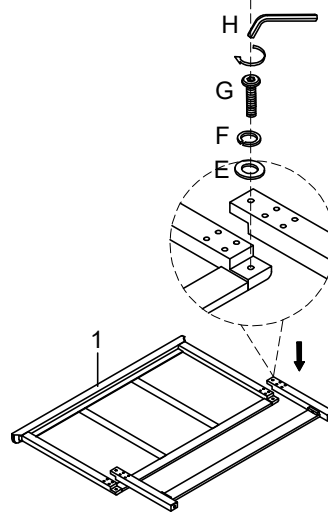
E	PB3341-54HD1-E	x20	Ø5/16"x18x1.5mm
F	PB3341-54HD1-F	x20	Ø5/16"x13x1mm
G	PB3341-54HD1-G	x20	Ø5/16"x1-1/2"L
H	PB3341-54HD1-H	x1	Allen key 4mm

1	PB3341-54HB	x1
2L	PB3341-54HL1	x1
2R	PB3341-54HL2	x1
3	PB3341-54MP	x2
4	PB3341-54SR	x1

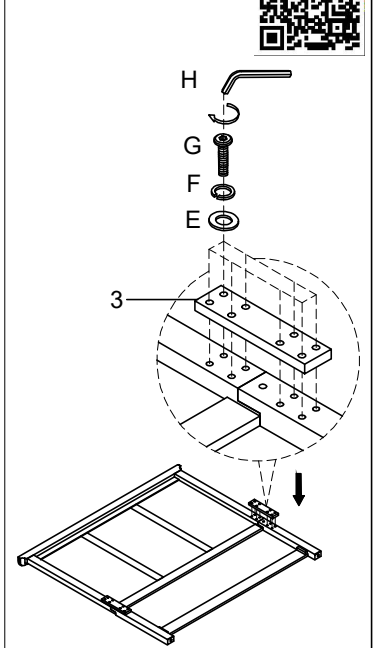
**STEP 1**



**STEP 2**



**STEP 2**

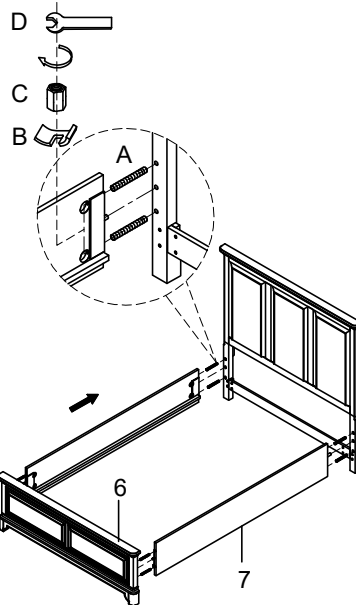


**BOX OF SIDE RAIL (BOX 2)**

A	PB3341-54HD2-A	x8	Ø5/16"x4-1/2"L
B	PB3341-54HD2-B	x8	Ø5/16"x34x16x3mm
C	PB3341-54HD2-C	x8	Ø5/16"x17mm
D	PB3341-54HD2-D	x1	Wrench 12mm

7	PB3341-54R	x2
---	------------	----

**STEP 4**



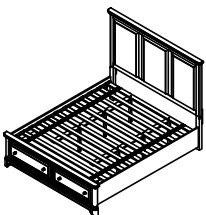
WARNING:  
ONLY USE THE HAND  
TOOLS PROVIDED

**TOOLS REQUIRED (NOT PROVIDED):**  
PHILLIPS SCREW DRIVER

**BOX OF FOOTBOARD (BOX 3)**

I	P99-00SR	x26	#4x25mm
5	P99-00QRS-SFB-FC	x1	Included 12pcs (1545mm)
6	P99-00QBS-SFB-FC	x2	1626x70x18mm
8	PB3341-55FB	x1	
9	PB3341-55SS	x6	434x28x28mm

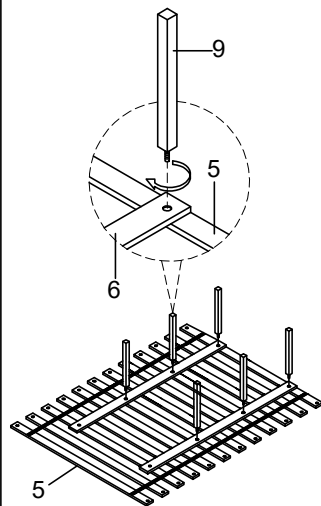
**KINCAID**



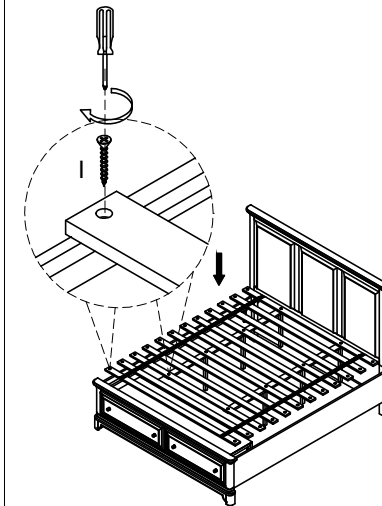
106405/B3341-54H Queen Panel Bed HB  
106408/B3341-55F Queen Panel Bed Storage FB  
106406/B3341-54R Queen/King Panel Bed Rails



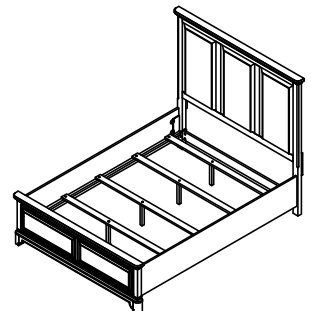
**STEP 5**



**STEP 6**



**STEP 7**



**ASSEMBLY COMPLETED**