

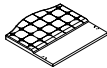




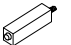
# Assembly Instructions for

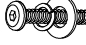
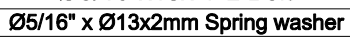




## PARIS - FULL UPHOLSTERED BED

Thank you for purchasing this quality product. Be sure to check all packing material carefully for small parts, which may have come loose inside the carton during shipment. Identify and count all parts and compare with the HARDWARE LIST below.

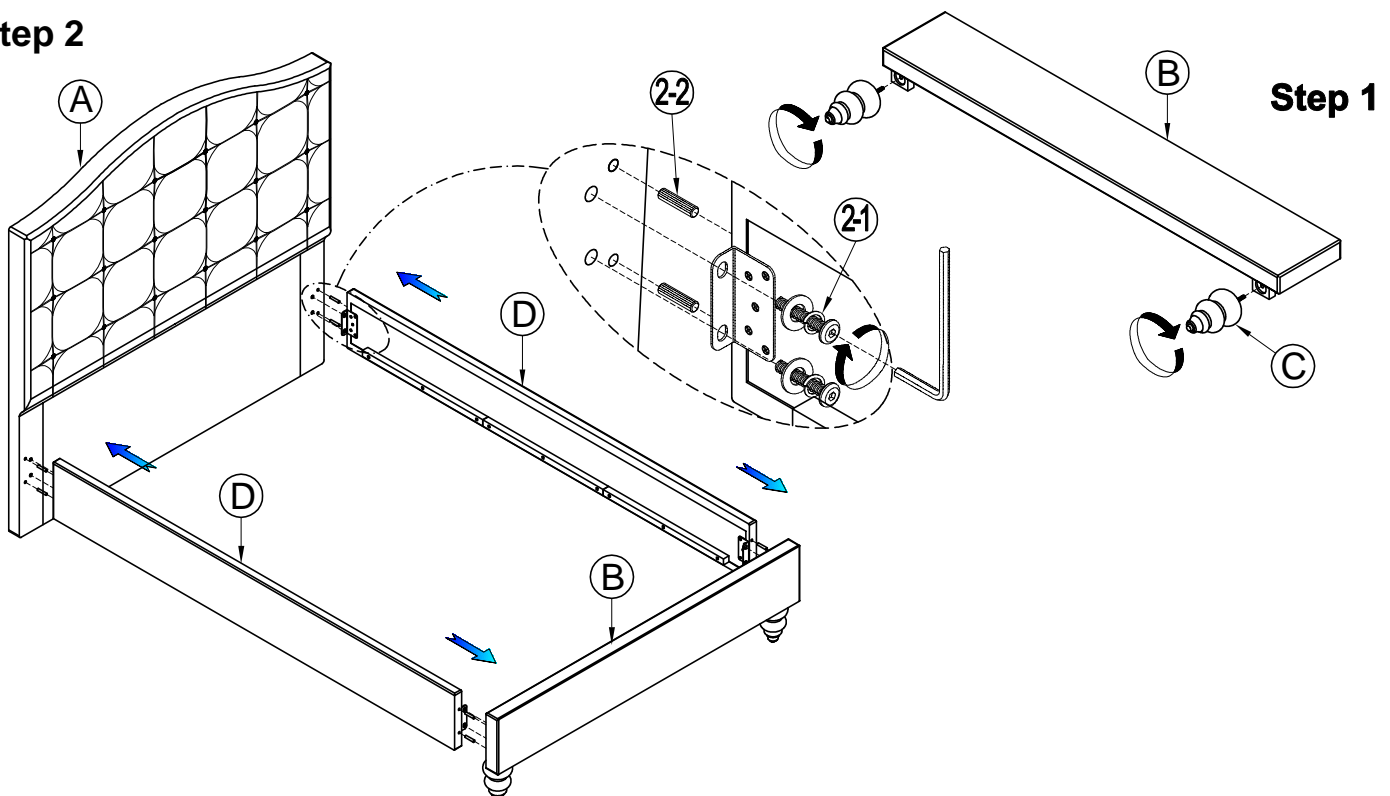
Caution : Please read instructions thoroughly before unpacking assembly parts.

1. We recommend that you should assemble this product with the assistance of another person; this will make assembly easier, and will help to eliminate damage to the product or injury to persons during assembly.
2. Please do not over tighten screws or bolts until the assembly is completed.
3. Please put all parts on a non - abrasive floor before assembly, and follow the assembly steps to assemble your newly purchased product correctly and efficiently.

NO.	PARTS LIST	Q'TY
A	 Headboard	1
B	 Footboard	1
C	 Feet	2
D	 Side rail	2
E	 Slats	3
F	 Center support legs	3

NO.	HARDWARE LIST	Q'TY
2-1	 Ø5/16"x18x 1"L Bolt	8
	 Ø5/16" x Ø13x2mm Spring washer	
	 Ø5/16" x Ø22x2mmT Flat washer	
	 Allen wrench(4mm)	1
2-2	 Dowel wood	8
4	 Screw Ø5/16"x1 <sup>3</sup> / <sub>16</sub> "	6

### Step 2



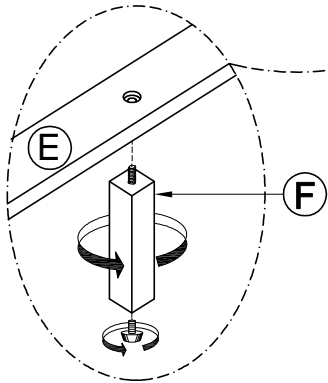
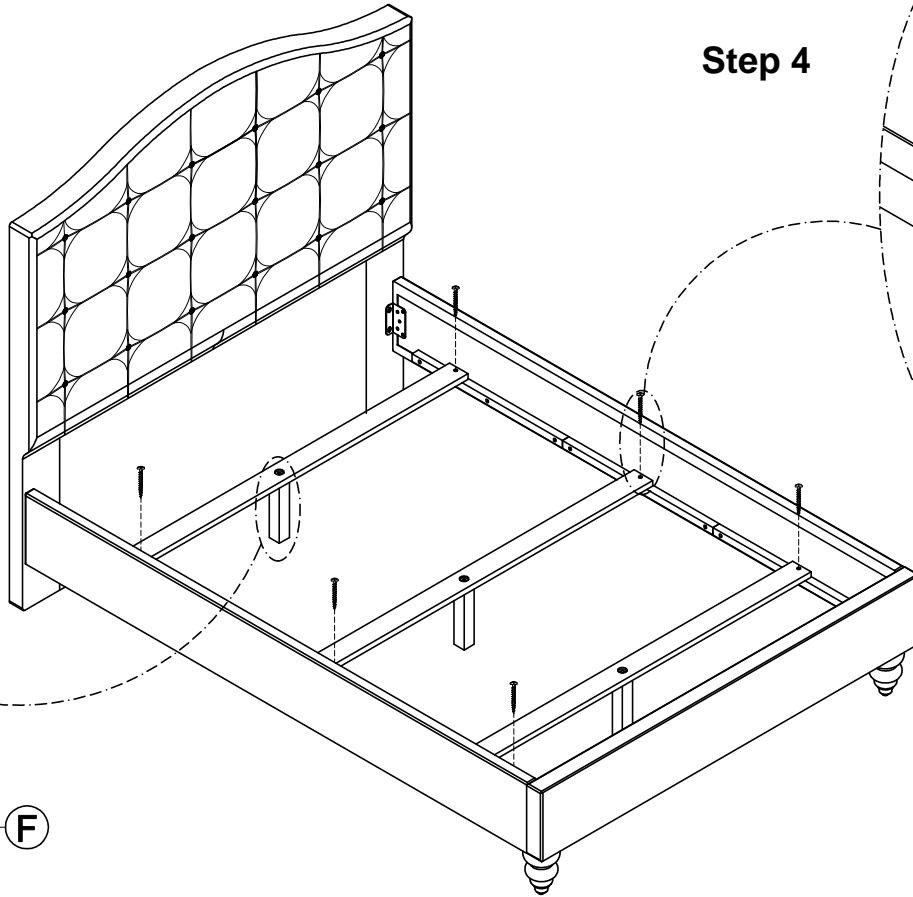
Made in VietNam

# Assembly Instructions for

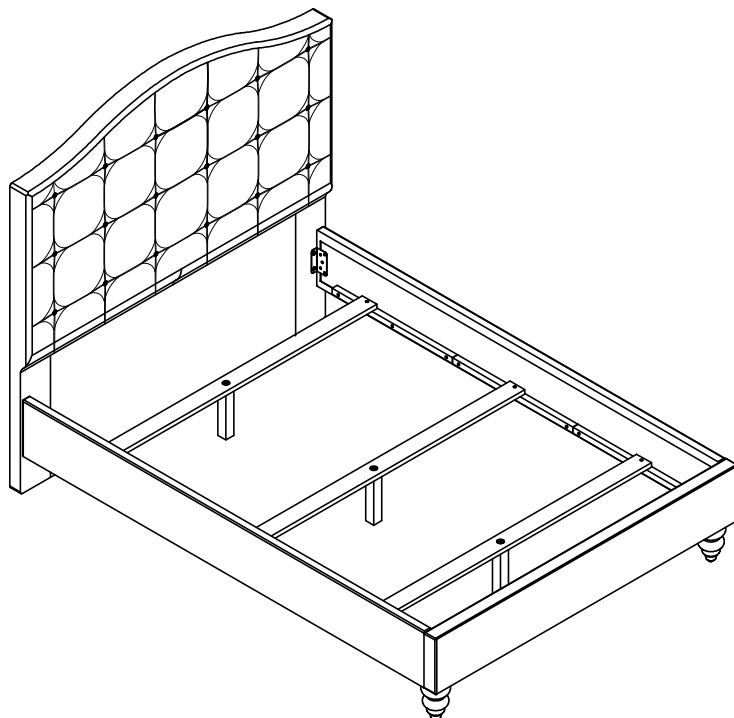
## PARIS - FULL UPHOLSTERED BED

Step 4

4



Step 3



Assembly completed  
**Made in VietNam**