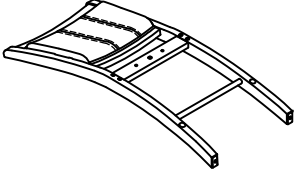

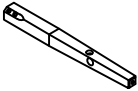










ASSEMBLY INSTRUCTIONS
INSTRUCCIONS

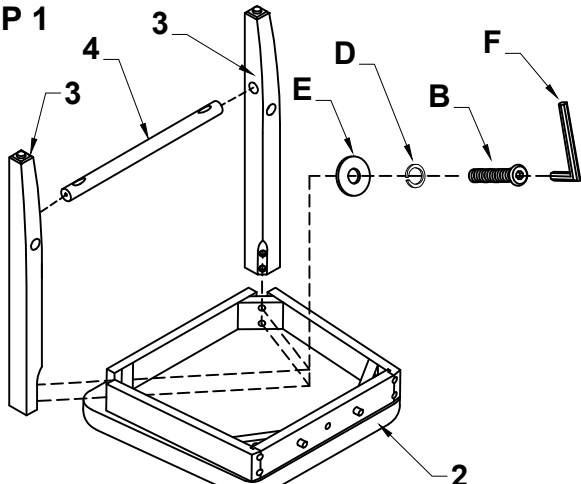
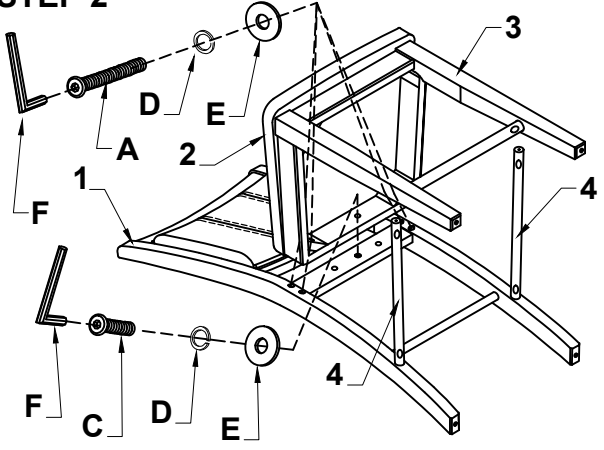
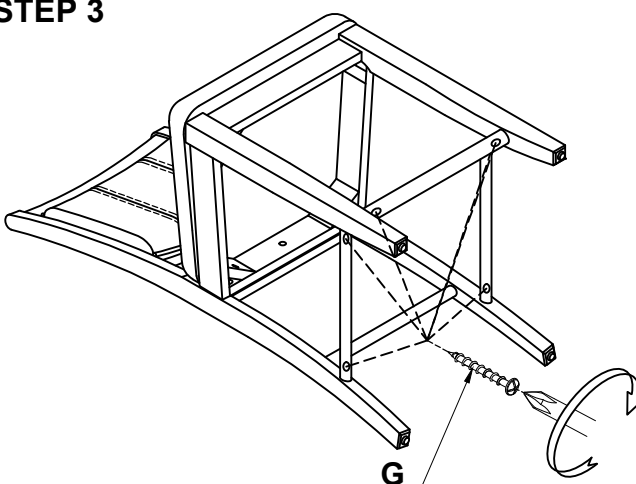
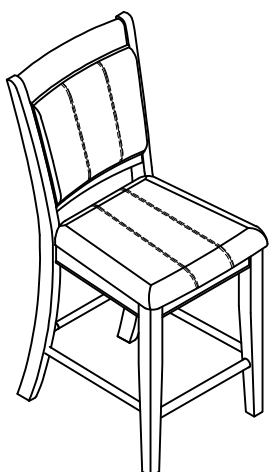
2727S-24-V (COUNTERE HIGH CHAIR)
2727S-24-V (SILLA ALTA DE MOSTRADOR)

PARTS LIST
LISTA DE PARTES

| | | |
|---|---|------------------------------------|
| 1 |  | 1PC / PIEZA |
| 2 |  | 1PC / PIEZA |
| 3 |  | 2PCS / PIEZAS |
| 4 |  | 3PCS / PIEZAS SIDE=2 FRONT=1 |

| | | | |
|---|---|---|---------------|
| A |  | BOLT 5/16"*18*3" (chair back leg corner) | 4PCS / PIEZAS |
| B |  | BOLT 5/16"*18*2" (front leg) | 4PCS / PIEZAS |
| C |  | BOLT 5/16"*18*1-1/2" (chair back center) | 1PC / PIEZAS |
| D |  | SPRING WASHER 5/16"*12mm | 9PCS / PIEZAS |
| E |  | FLAT WASHER 5/16"*19mm | 9PCS / PIEZAS |
| F |  | ALLEN WRENCH 4mm | 1PC / PIEZA |
| G |  | SCREW 1-1/2" | 6PCS / PIEZAS |

ASSEMBLY INSTRUCTIONS
INSTRUCCIONS

| | |
|--|--|
| <p>STEP 1</p>  | <p>STEP 2</p>  |
| <p>STEP 3</p>  | <p>STEP 4</p>  |

DO NOT TIGHTEN ALL BOLTS UNTIL COMPLETELY ASSEMBLED.
NO APRETAR LOS TORNILLOS HASTA ARMAR COMPLETAMENTE.