



LIVING SPACES

ASSEMBLY INSTRUCTIONS

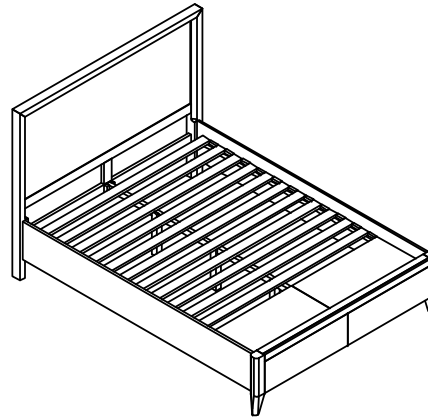
ALLEN PANEL BED WITH STORAGE

Queen LS SKU # 105306, King LS SKU # 200187, CAL King LS SKU # 105310



PART LIST

REF.	PART NAME	Q'TY
A	HEADBOARD (Box 1 of 3)	1
B	FOOTBOARD (Box 3 of 3)	1
C	SIDE RAIL (Box 2 of 3)	2
D	CENTER RAIL (Box 2 of 3)	1
E	SUPPORT LEG WITH SCREW ATTACHED HEAD (Box 2 of 3)	3
F	MATTRESS SLAT (Box 2 of 3)	12
G	MATTRESS BOARD (Box 2 of 3)	2
H	SCREW M4x30 (Box 2 of 3)	16
I	BOLT M6x12 (Box 2 of 3)	12
J	Allen key K5 (Box 2 of 3)	1

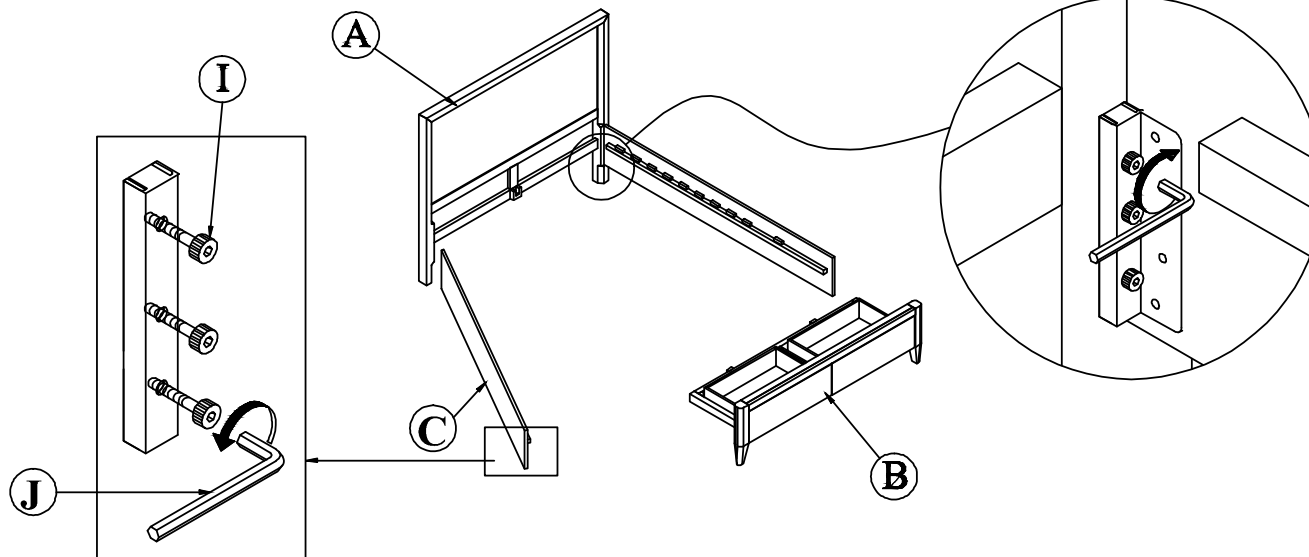


BEFORE YOU START

1. Choose a clean, level, spacious assembly area.
Avoid hard surfaces that may damage the product.
2. Check and ensure that you have all required contents for complete assembly.
3. Always read the assembly instructions carefully before beginning assembly.
4. The packaging and contents can be a choking hazard, therefore keep out of reach of small children at all times.
5. Do not over tighten the bolts as this may damage the thread.

SPECIAL NOTE: PLEASE KEEP THESE INSTRUCTION FOR FURTHER USE

STEP 1





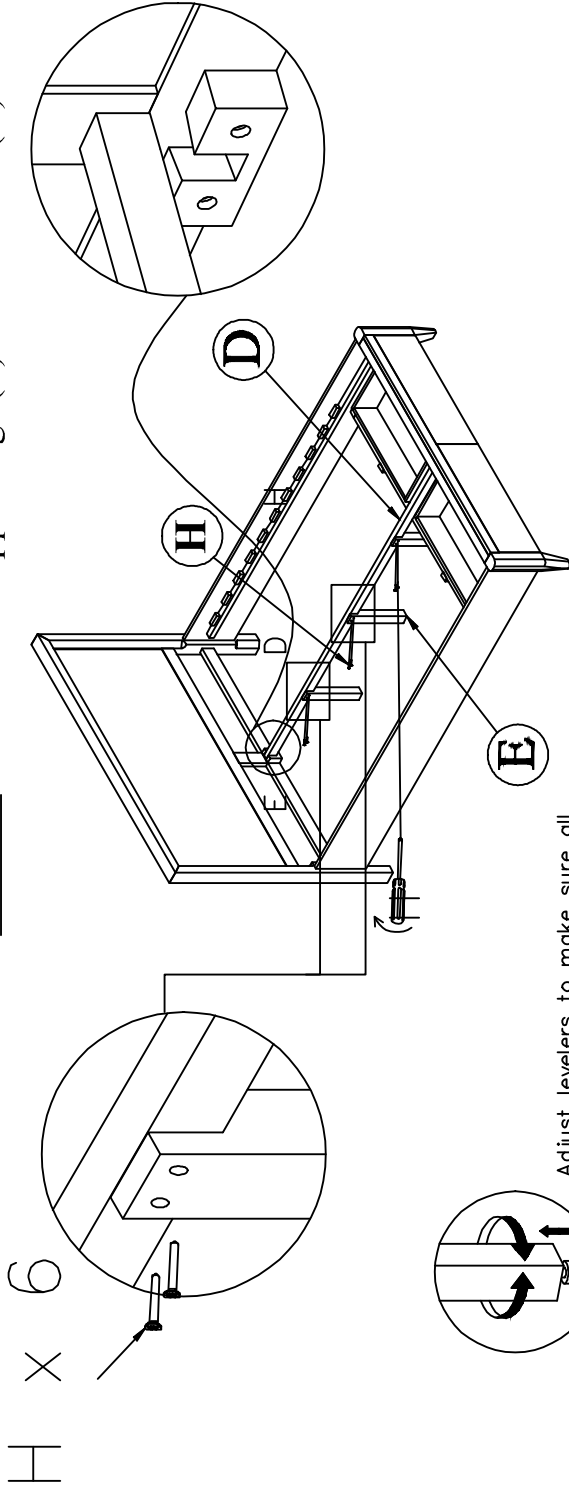
LIVING SPACES

ASSEMBLY INSTRUCTIONS

ALLEN PANEL BED WITH STORAGE

Queen LS SKU # 105306, King LS SKU # 200187, CAL King LS SKU # 105310

STEP 2 Fasten the support legs (E) to center rail (D) with screws (H)



Adjust levelers to make sure all support legs touch the floor

